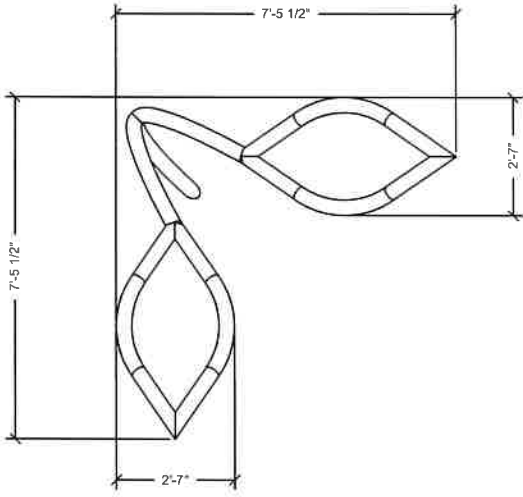


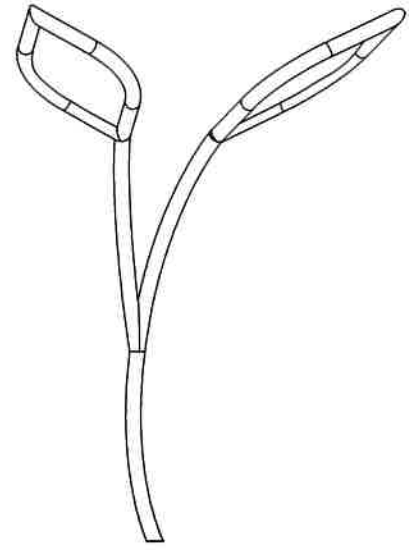
APPENDIX "A"

Raindeck USA Water Features & Components

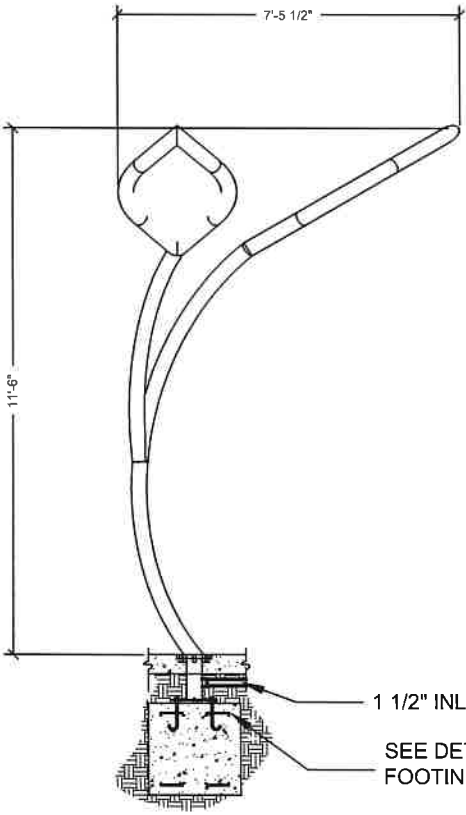
(To be provided by Town of Canton for
Installation by Contractor)



TOP VIEW



NTS



FRONT VIEW

SPECIFICATIONS:

- **MATERIAL: STAINLESS STEEL & ACRYLIC**
- **SURFACE FINISH: POWDER COAT**
- **WATER PRESSURE: MIN. 5 PSI**
- **WATER CONSUMPTION: 10 - 40 GPM**

**SS RAIN LEAF 2
RDS364-1**

RAINDECK
 Ph. 888.445.RAIN
 Fax. 866.869.3942
 info@raindeck.com

THE INFORMATION CONTAINED HEREIN IS THE PROPERTY OF RAINDECK. USE OF THIS DRAWING AND ALL INFORMATION CONTAINED HEREIN IS RESTRICTED TO THE ORIGINAL SITE FOR WHICH IT WAS PREPARED AND SHALL NOT BE REPRODUCED, COPIED, REPRODUCED, TRANSMITTED, OR IN ANY MANNER DISSEMINATED WITHOUT THE WRITTEN CONSENT OF RAINDECK. WHERE A DISCREPANCY EXISTS BETWEEN THIS DRAWING AND ANY OTHER DRAWING OR DOCUMENT, THIS DRAWING SHALL CONTROL. THIS DRAWING IS NOT TO BE USED FOR ANY OTHER PROJECT WITHOUT THE WRITTEN CONSENT OF RAINDECK.

REV.	DATE	BY	DESCRIPTION
△			
△			
△			
△			
△			

**RAIN DECK
SS RAIN LEAF 2**

SEAL

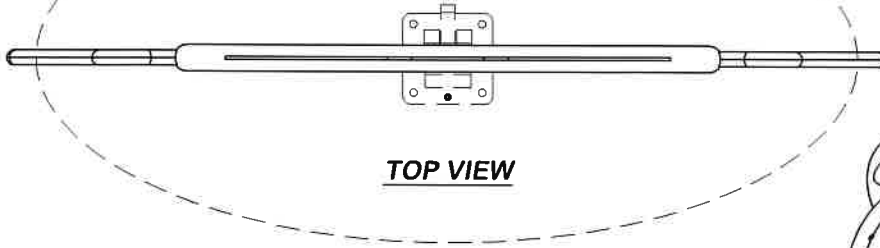
DATE

DRAWN BY RS	REVIEWED BY LB
DATE AUG. 2020	
SHEET	
MFR# RDS364-1	

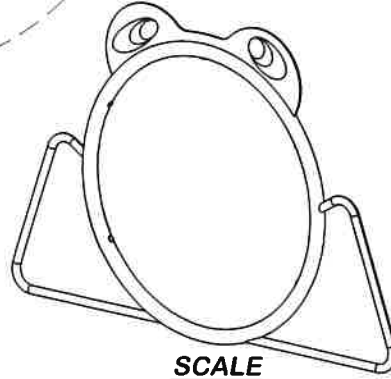
SCALE
1/4"=1'-0"

RDS343-0
SS FROG LOOP

WET AREA ±9' x 4'



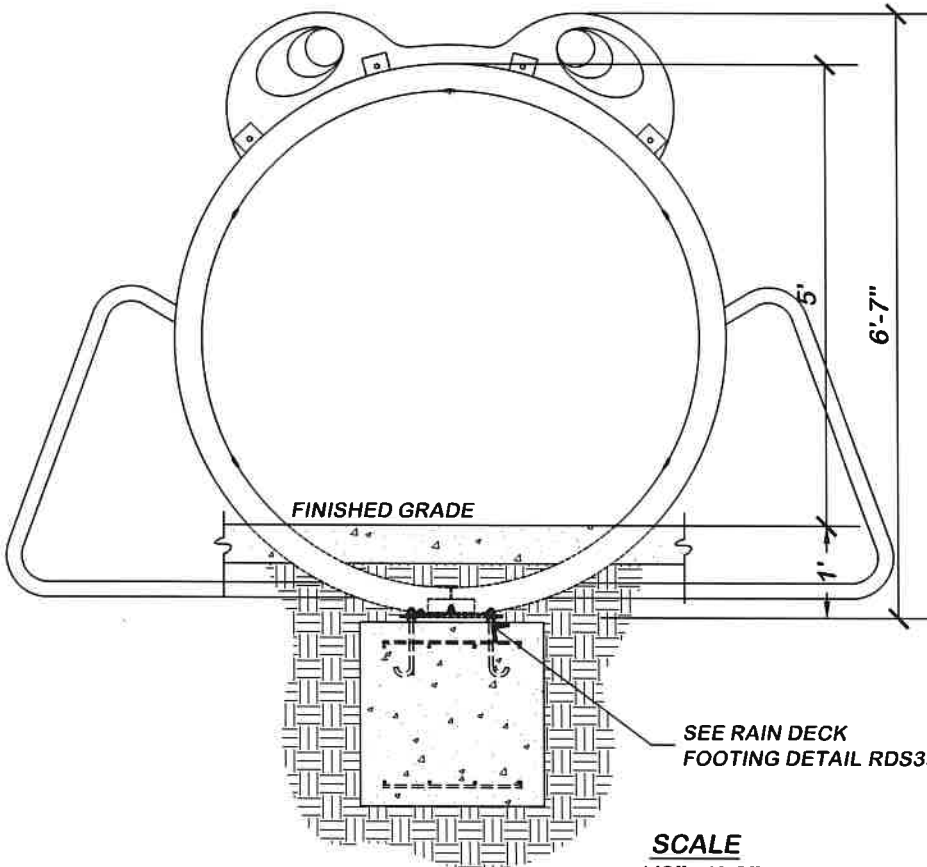
TOP VIEW



SCALE
N.T.S.

SPECIFICATIONS:

- **MATERIALS: STAINLESS STEEL**
- **SURFACE FINISH: POWDER COAT**
- **WATER PRESSURE: MIN. 10 PSI**
- **WATER CONSUMPTION 7-8 GPM**



FINISHED GRADE

SEE RAIN DECK
FOOTING DETAIL RDS398-0

SCALE
1/2"=1'-0"

FRONT VIEW

SS FROG LOOP
RDS343-0

SCALE
1/2"=1'-0"

RAINDECK
Ph. 888.445.RAIN
Fax. 866.869.3942
info@raindeck.com

THIS DRAWING IS THE PROPERTY OF RAIN DECK. USE OF THIS DRAWING AND ALL BEST PRACTICES TO THE ORIGINAL SITE FOR WHICH IT WAS PREPARED AND SHALL NOT BE REPRODUCED OR TRANSMITTED IN ANY AND APPROVED. PUBLICATION OF THIS DRAWING BY ANY METHOD IN WHOLE OR IN PART WITHOUT THE WRITTEN CONSENT OF RAIN DECK IS STRICTLY PROHIBITED. CONTRACTORS NAME APPEARS ON THIS DRAWING AS A RESULT OF AN AGREEMENT WITH THE ARCHITECT.

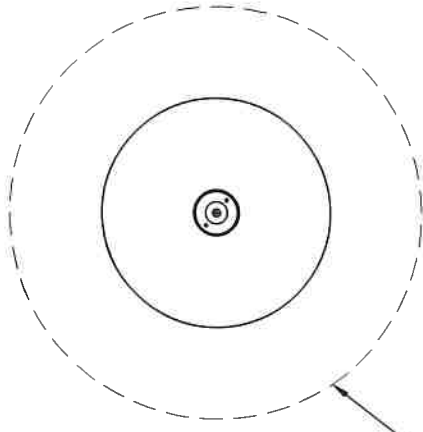
REV.	DATE	BY	DESCRIPTION
△			
△			
△			
△			

RAIN DECK
SS FROG LOOP

SEAL
DATE

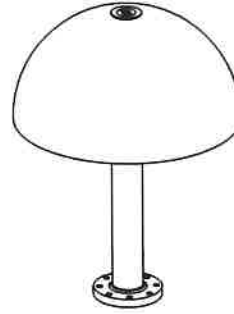
DRAWN BY	REVIEWED BY
RS	RV
DATE	MAY 2017
SHEET	
MFR#	RDS343-0

RDS304-0
SS MINI MUSHROOM

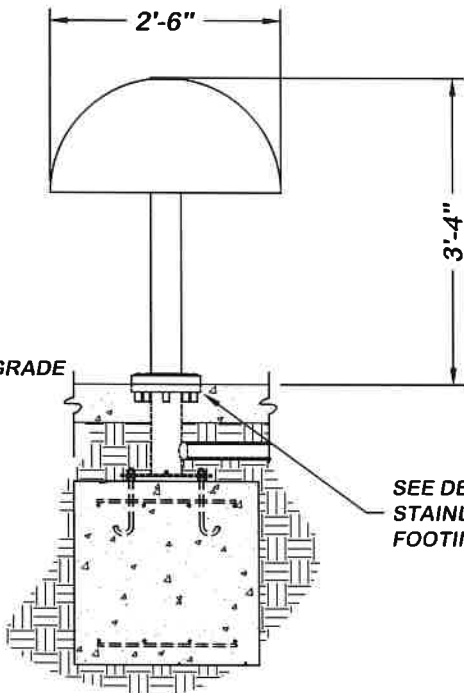


WET AREA ±6" DIAMETER

TOP VIEW



SCALE
N.T.S.



FRONT VIEW

SPECIFICATIONS:

- MATERIAL: STAINLESS STEEL
- SURFACE FINISH: POWDER COAT
- WATER PRESSURE: MIN. 3 PSI
- WATER CONSUMPTION: 5-20 GPM

FIBERGLASS CANOPY
AVAILABLE IN 30" DIA.

SS MINI MUSHROOM
30" DIA
RDS304-0

SCALE
1/2"=1'-0"

RAINDECK
Ph. 888.445.RAIN
Fax. 866.869.3942
info@raindeck.com

THIS DRAWING IS THE PROPERTY OF RAINDECK. ALL RIGHTS RESERVED. NO PART OF THIS DRAWING IS TO BE REPRODUCED OR TRANSMITTED IN ANY FORM OR BY ANY MEANS, ELECTRONIC OR MECHANICAL, INCLUDING PHOTOCOPYING, RECORDING, OR BY ANY INFORMATION STORAGE AND RETRIEVAL SYSTEM, WITHOUT THE WRITTEN PERMISSION OF RAINDECK. THE USER OF THIS DRAWING AGREES TO HOLD RAINDECK HARMLESS FROM ANY AND ALL CLAIMS, DAMAGES, LOSSES AND EXPENSES, INCLUDING REASONABLE ATTORNEY'S FEES, THAT MAY BE ASSERTED AGAINST RAINDECK BY A THIRD PARTY AS A RESULT OF THE USER'S USE OF THIS DRAWING.

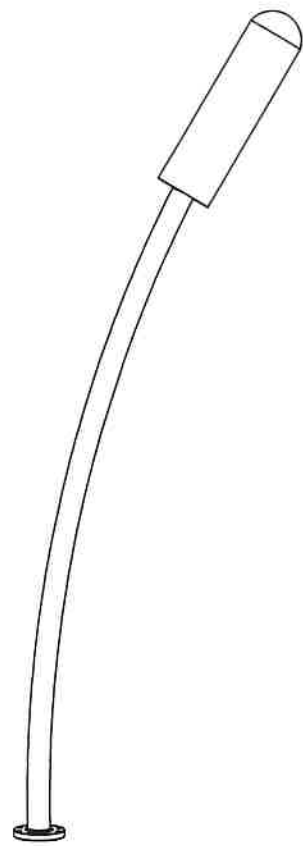
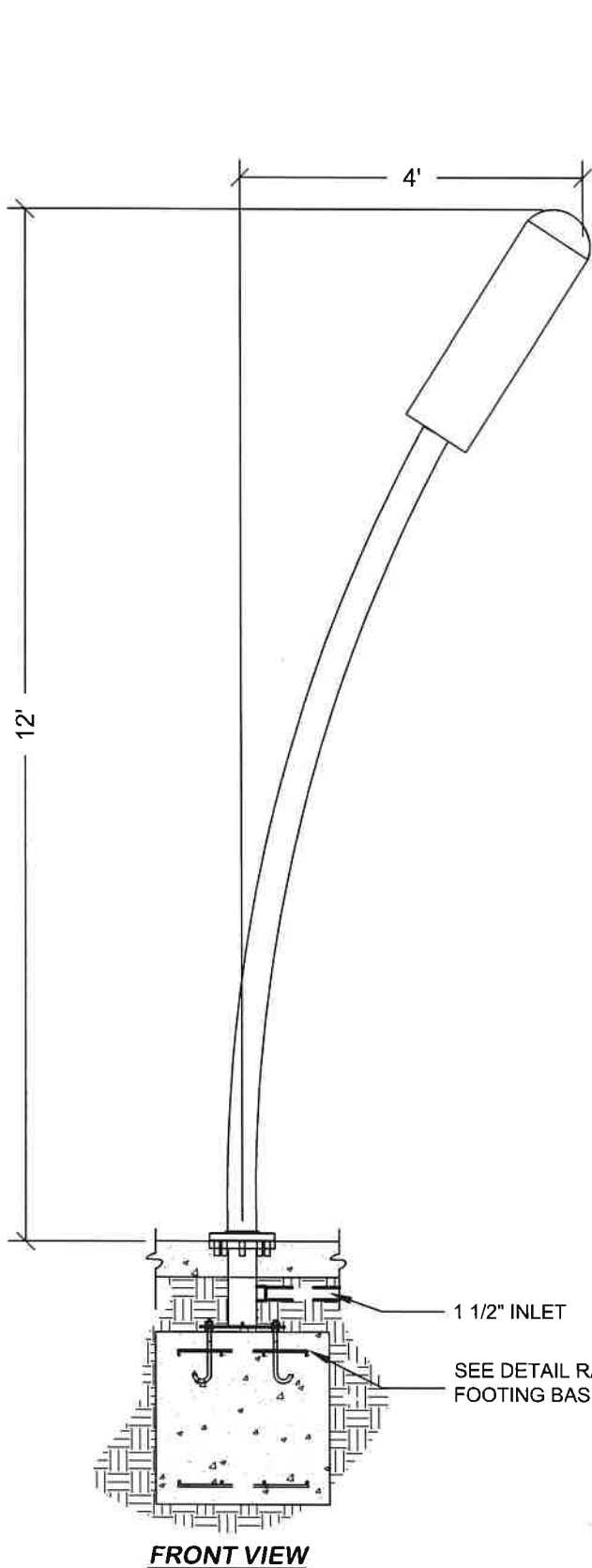
REV.	DATE	BY	DESCRIPTION
△			
△			
△			
△			
△			

RAIN DECK
SS MINI MUSHROOM

SEAL

DATE

DRAWN BY	RS	REVIEWED BY	RV
DATE	MAY 2017		
SHEET			
MFR#	RDS304-0		



SPECIFICATIONS:

- **MATERIAL: STAINLESS STEEL**
- **SURFACE FINISH: POWDER COAT**
- **WATER PRESSURE: MIN. 5 PSI**
- **WATER CONSUMPTION: 5 - 20 GPM**

**SS CAT TAIL
RDPROTOTYPE**

1 1/2" INLET
SEE DETAIL RAIN DECK
FOOTING BASE RDS399-0

FRONT VIEW

SCALE
1/2"=1'-0"

RAINDECK
Ph. 888.445.RAIN
Fax. 866.869.3942
info@raindeck.com

THIS DRAWING IS AN INSTRUMENT OF SERVICE AND THE PROPERTY OF RAINDECK. IT IS TO BE USED ONLY FOR THE PROJECT AND SITE SPECIFICALLY IDENTIFIED HEREIN. NO REPRODUCTION OR TRANSMISSION OF THIS DRAWING IS PERMITTED WITHOUT THE WRITTEN AND APPROVED PERMISSION OF RAINDECK. RAINDECK SHALL BE RESPONSIBLE FOR THE DESIGN AND CONSTRUCTION OF ANY SYSTEMS BASED ON THIS DRAWING. RAINDECK SHALL NOT BE RESPONSIBLE FOR ANY DAMAGE TO PERSONS OR PROPERTY ARISING FROM THE USE OF THIS DRAWING. RAINDECK SHALL NOT BE RESPONSIBLE FOR ANY DAMAGE TO PERSONS OR PROPERTY ARISING FROM THE USE OF THIS DRAWING. RAINDECK SHALL NOT BE RESPONSIBLE FOR ANY DAMAGE TO PERSONS OR PROPERTY ARISING FROM THE USE OF THIS DRAWING.

REV.	DATE	BY	DESCRIPTION
△			
△			
△			
△			
△			

**RAIN DECK
SS CAT TAIL**

SEAL

DATE

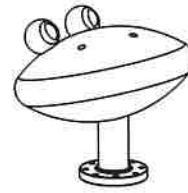
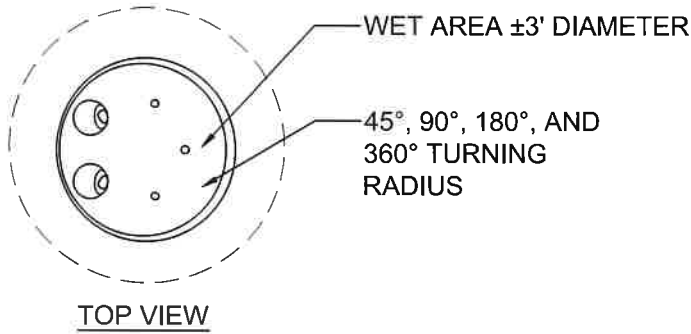
DRAWN BY	REVIEWED BY
RS	BF
DATE	OCT. 2019
SHEET	
MFR#	RDS###-0

RDS366-1 SS TOAD TWISTER



Ph. 888.445.RAIN
Fax. 866.869.3942
info@raindeck.com

THE USER SHALL BE RESPONSIBLE FOR OBTAINING ALL NECESSARY PERMITS AND SERVICES AND THE USER SHALL BE RESPONSIBLE FOR THE PROTECTION AND MAINTENANCE OF THE PRODUCT. THE USER SHALL NOT BE RESPONSIBLE FOR THE PRODUCT'S PERFORMANCE OR THE PRODUCT'S SAFETY. THE USER SHALL BE RESPONSIBLE FOR THE PRODUCT'S INSTALLATION AND MAINTENANCE. THE USER SHALL BE RESPONSIBLE FOR THE PRODUCT'S OPERATION AND THE PRODUCT'S SAFETY. THE USER SHALL BE RESPONSIBLE FOR THE PRODUCT'S USE AND THE PRODUCT'S SAFETY. THE USER SHALL BE RESPONSIBLE FOR THE PRODUCT'S MAINTENANCE AND THE PRODUCT'S SAFETY. THE USER SHALL BE RESPONSIBLE FOR THE PRODUCT'S USE AND THE PRODUCT'S SAFETY. THE USER SHALL BE RESPONSIBLE FOR THE PRODUCT'S MAINTENANCE AND THE PRODUCT'S SAFETY.



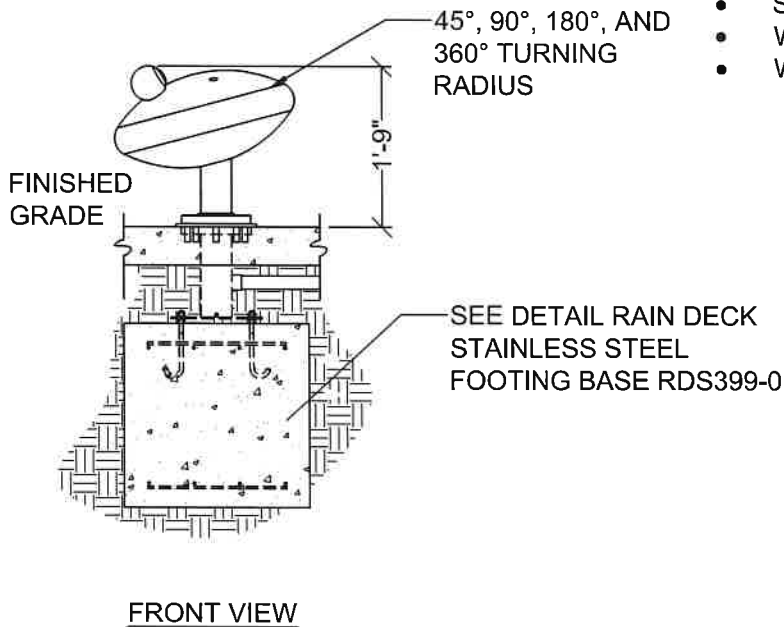
SCALE
N.T.S.

REV.	DATE	BY	DESCRIPTION
△			
△			
△			
△			
△			

**RAIN DECK
SS TOAD TWISTER**

SPECIFICATIONS:

- MATERIAL: STAINLESS STEEL
- SURFACE FINISH: POWDER COAT
- WATER PRESSURE: MIN. 5 PSI
- WATER CONSUMPTION: 5-20 GPM

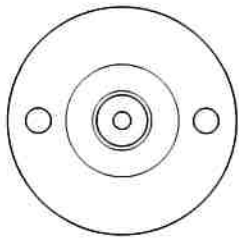


SS TOAD TWISTER
RDS366-1

SEAL
DATE

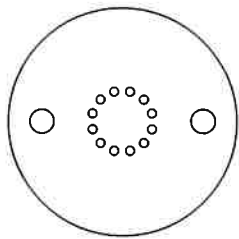
DRAWN BY RS	REVIEWED BY LB
DATE OCT. 2019	
SHEET	
MFR# RDS366-1	

SCALE
1/2"=1'-0"



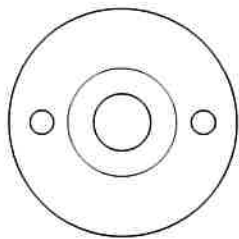
ADJUSTABLE NOZZLE
RD103-0

- WATER PRESSURE: 3 - 5 PSI
- WATER CONSUMPTION: 1.5 GPM TYP (1.0 MIN / 2.0 MAX)
- EFFECTIVE RANGE: MAX 10' DIRECTIONAL



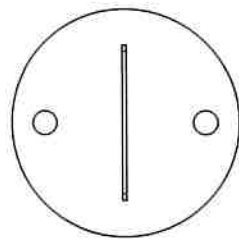
SHOWER NOZZLE
RD104-0

- WATER PRESSURE: 3 - 5 PSI
- WATER CONSUMPTION: 4.5 GPM TYP (3.5 MIN / 5.0 MAX)
- EFFECTIVE RANGE: MAX 10' DIAMETER



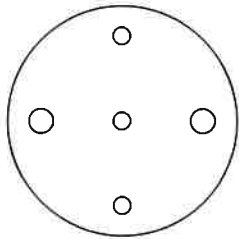
BUBBLER NOZZLE
RD105-0

- WATER PRESSURE: 3 - 5 PSI
- WATER CONSUMPTION: 3.2 GPM TYP (2.5 MIN / 6.0 MAX)
- EFFECTIVE RANGE: MAX 6' DIAMETER



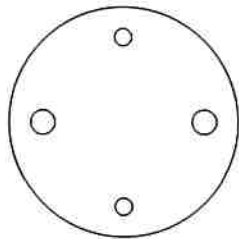
FAN NOZZLE
RD106-0

- WATER PRESSURE: 3 - 5 PSI
- WATER CONSUMPTION: 3.2 GPM TYP (2.5 MIN / 6.0 MAX)
- EFFECTIVE RANGE: MAX 12' LONG x 6' WIDE



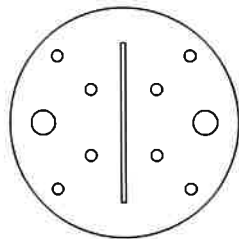
TRIPLE SHOOTER NOZZLE
RD110-0

- WATER PRESSURE: 3 - 5 PSI
- WATER CONSUMPTION: 5.0 GPM TYP (4.5 MIN / 6.0 MAX)
- EFFECTIVE RANGE: MAX 8' DIAMETER



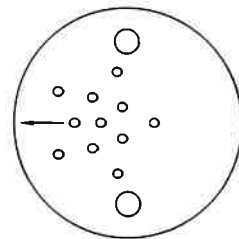
DUEL NOZZLE
RD112-0

- WATER PRESSURE: 3 - 5 PSI
- WATER CONSUMPTION: 3.5 GPM TYP (2.5 MIN / 5.5 MAX)
- EFFECTIVE RANGE: MAX 8' DIAMETER



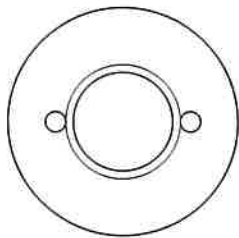
"X" FACTOR NOZZLE
RD113-0

- WATER PRESSURE: 3 - 5 PSI
- WATER CONSUMPTION: 6.5 GPM TYP (5.5 MIN / 7.5 MAX)
- EFFECTIVE RANGE: MAX 8' DIAMETER



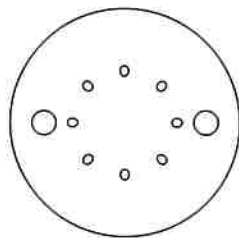
ROOSTER TAIL NOZZLE
RD114-0

- WATER PRESSURE: 3 - 5 PSI
- WATER CONSUMPTION: 5.0 GPM TYP (3.0 MIN / 7.0 MAX)
- EFFECTIVE RANGE: MAX 14' LONG x 6' WIDE



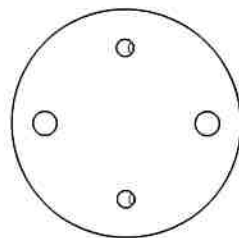
TULIP NOZZLE
RD115-0

- WATER PRESSURE: 3 - 5 PSI
- WATER CONSUMPTION: 8.0 GPM TYP (6.5 MIN / 12.0 MAX)
- EFFECTIVE RANGE: MAX. 8' DIAMETER



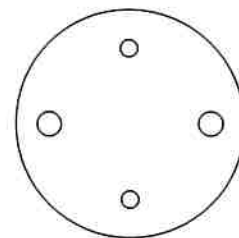
SPIDER NOZZLE
RD116-0

- WATER PRESSURE: 3 - 5 PSI
- WATER CONSUMPTION: 4.6 GPM TYP (2.5 MIN / 7.0 MAX)
- EFFECTIVE RANGE: MAX 10' DIAMETER



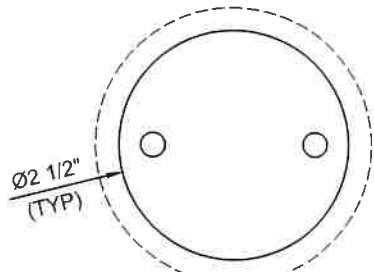
VIPER NOZZLE
RD117-0

- WATER PRESSURE: 3 - 5 PSI
- WATER CONSUMPTION: 3.5 GPM TYP (2.5 MIN / 5.5 MAX)
- EFFECTIVE RANGE: MAX 8' LONG x 6' WIDE

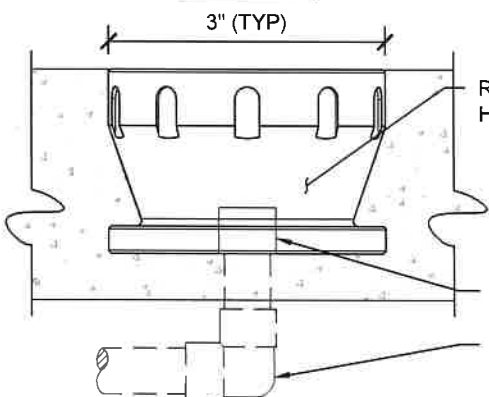


SPLITTER NOZZLE
RD118-0

- WATER PRESSURE: 3 - 5 PSI
- WATER CONSUMPTION: 3.5 GPM TYP (2.5 MIN / 5.5 MAX)
- EFFECTIVE RANGE: MAX 8' LONG x 6' WIDE



TOP VIEW

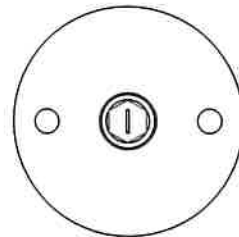


FRONT VIEW

RAIN DECK HOUSING RD102-0
HOUSING MATERIALS:
UHMW, UPVC, ALUMINUM,
BRASS, OR STAINLESS
STEEL

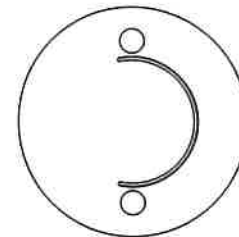
1/2" INLET (TYP)

MIN. 1/2" WATER
SUPPLY (TYP)



MISTY NOZZLE
RD119-0

- WATER PRESSURE: 3 - 5 PSI
- WATER CONSUMPTION: 0.6 GPM TYP (0.3 MIN / 1.0 MAX)
- EFFECTIVE RANGE: MAX 10' DIAMETER



WAVE NOZZLE
RD120-0

- WATER PRESSURE: 3 - 5 PSI
- WATER CONSUMPTION: 4.0 GPM TYP (4.3 MIN / 6.5 MAX)
- EFFECTIVE RANGE: MAX 8' x 5' x 2'

NOZZLE SPECIFICATIONS:

- MATERIALS: DELRIN, ALUMINUM, BRASS, OR STAINLESS STEEL
- SS AND BRASS: 3/4" THREADED INLET
- WATER PRESSURE: AS NOTED
- WATER CONSUMPTION: AS NOTED
- EFFECTIVE RANGE: AS NOTED

C:\Project\Bases files\RD_logo_no_ribbon.jpg
7319 S. ATWOOD, STE 130 - MESA, AZ 85212
Ph. 888.445.RAIN Fax. 866.869.3942
info@raindeck.com

THIS DRAWING IS AN INSTRUMENT OF SERVICE AND THE PROPERTY OF RAIN DECK. USE OF THIS DRAWING FOR ANY OTHER PROJECT OR FOR ANY OTHER PURPOSE WITHOUT THE WRITTEN PERMISSION OF RAIN DECK IS PROHIBITED. ANY REPRODUCTION OR TRANSMISSION OF THIS DRAWING WITHOUT THE WRITTEN PERMISSION OF RAIN DECK IS PROHIBITED. RAIN DECK SHALL BE COMPENSATED BY AND ON BEHALF OF EACH PARTY TO THIS AGREEMENT WITH RESPECT TO SUCH REPRODUCTION AND TRANSMISSION.

REV.	DATE	BY	DESCRIPTION

RAINDECK
RD102-0 HOUSING AND NOZZLES

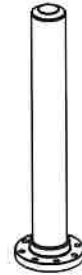
SEAL
DATE

DRAWN BY: AJM
REVIEWED BY: LB
DATE: 02-26-2020
RD102-0
SCALE: 1/2" = 1'-0"

RDS550-0
SS SOF-TOUCH ACTIVATOR



TOP VIEW



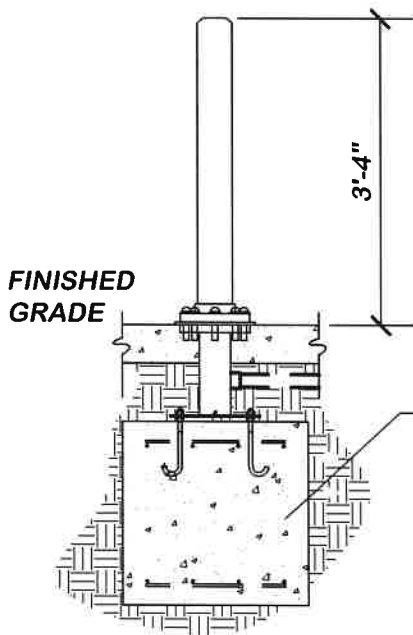
SCALE
N.T.S.

INCLUDES:

- SOF-TOUCH POST MOUNTED ACTIVATOR
- PROXIMITY SENSOR
- RAIN DECK SS FOOTING BASE w/ CAP
- STAINLESS STEEL BOLTS AND GASKET

SPECIFICATIONS:

- MATERIAL: STAINLESS STEEL w/ DELRIN ACTIVATOR
- SURFACE FINISH: POWDER COAT
- WIDTH: 4-1/2" O.D. SS PIPE
- HEIGHT: 40" (FROM FINISHED GRADE - CUSTOM SIZES AVAILABLE)



FINISHED GRADE

3'-4"

SEE DETAIL RAIN DECK
STAINLESS STEEL
FOOTING BASE RDS399-0

SS SOF-TOUCH ACTIVATOR
RDS550-0

FRONT VIEW

SCALE
1/2"=1'-0"

RAINDECK
Ph. 888.445.RAIN
Fax. 866.869.3942
info@raindeck.com

THIS DRAWING IS THE PROPERTY OF RAIN DECK. USE OF THIS DRAWING AND ALL INFORMATION CONTAINED HEREIN IS RESTRICTED TO THE ORIGINAL SITE FOR WHICH IT WAS PREPARED AND SHALL NOT BE REPRODUCED, COPIED, REPRODUCED, APPROVED, PUBLISHED OR OTHERWISE TRANSMITTED IN ANY MANNER WITHOUT THE WRITTEN PERMISSION OF RAINDECK. WHERE A CONTRACTOR'S NAME APPEARS ON THIS DRAWING, IT IS THE PROPERTY OF SAID CONTRACTOR, EXCEPT BY AGREEMENT IN WRITING. DATE: 05/21/16 10:44:13 AM

REV.	DATE	BY	DESCRIPTION
△			
△			
△			
△			
△			

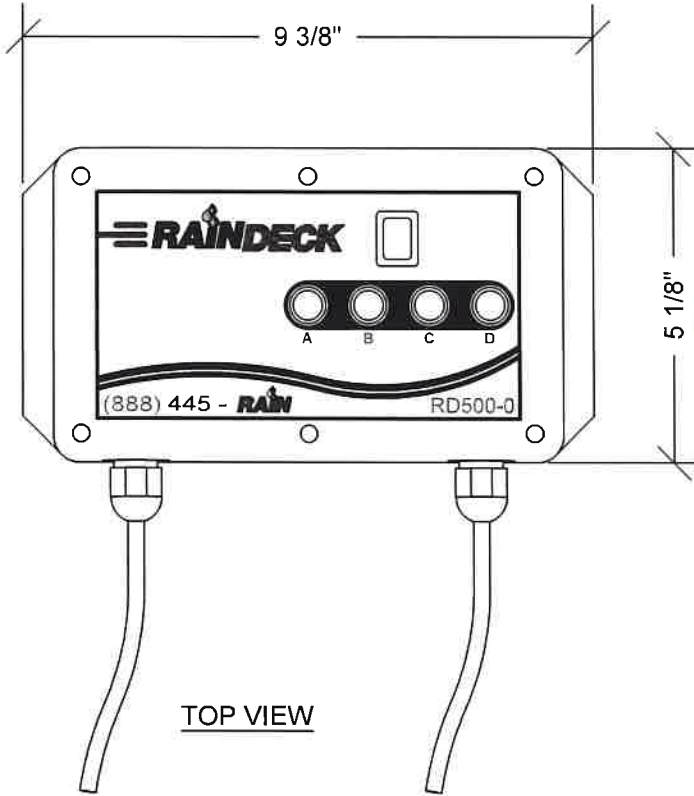
**RAIN DECK
SS SOF-TOUCH ACTIVATOR**

SEAL

DATE

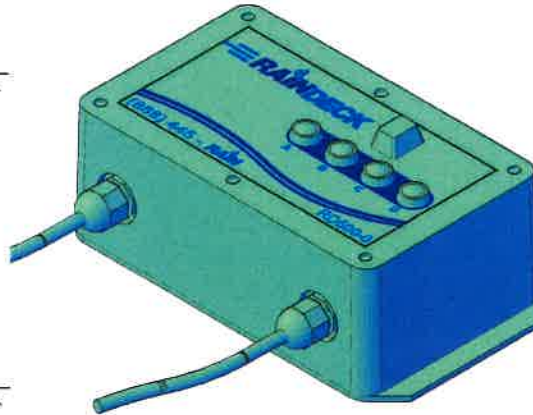
DRAWN BY RS	REVIEWED BY RV
DATE MAY 2017	
SHEET	
MFR# RDS550-0	

RD500-0
RAIN DECK CONTROLLER



TOP VIEW

SCALE
N.T.S.



THE RAIN DECK PROPRIETARY ELECTRONIC CONTROLLER SETS THE INDUSTRY STANDARD FOR SPLASH PAD CONTROL SYSTEMS. THE RAIN DECK CONTROLLER PROVIDES THE USER WITH 4 PROGRAM SELECTIONS AND THE ABILITY TO USE WITH A FRESH WATER OR RECIRCULATION SYSTEM. THE CONTROLLER IS POWERED BY A STANDARD 100V POWER SUPPLY WITH CONNECTIONS FOR STANDARD 24VAC SOLENOID VALVES.

PROGRAMS:

- A. ONE ZONE RANDOM
- B. ONE ZONE SEQUENTIAL
- C. MULTIPLE ZONE RANDOM
- D. ALL ON

*NUMBER OF ZONES AND SPEED CYCLES CAN BE ADJUSTED ON-SITE. FOR ANY OTHER PROGRAMING QUESTIONS, PLEASE CONTACT RAIN DECK.

RAIN DECK CONTROLLER
RD500-0

RAINDECK
Ph. 888.445.RAIN
Fax. 866.869.3942
info@raindeck.com

THIS DRAWING IS AN INSTRUMENT OF SERVICE AND THE PROPERTY OF RAIN DECK. IT IS TO BE USED ONLY FOR THE PROJECT AND SITE SPECIFICALLY IDENTIFIED IN THE ORIGINAL ORDER FOR WHICH IT WAS PREPARED AND IS NOT TO BE REPRODUCED OR COPIED FOR ANY OTHER PROJECT WITHOUT THE WRITTEN PERMISSION OF RAIN DECK. WHILE A CONTRACTOR'S OBLIGATION UNDER THIS AGREEMENT IS LIMITED TO THE DESIGN AND CONSTRUCTION OF THE PROJECT, RAIN DECK SHALL NOT BE RESPONSIBLE FOR ANY OTHER DAMAGES OR LOSSES.

REV.	DATE	BY	DESCRIPTION
△			
△			
△			
△			
△			

RAIN DECK
RAIN DECK CONTROLLER

SEAL

DATE

DRAWN BY	RS	REVIEWED BY	RV
DATE	MARCH 2014		
SHEET			
MFR#	RD500-0		



SUPERFLO® & WHISPERFLO® High Performance Single-Speed Pumps

For smaller pools and
pumped water features.

Department of Energy (DOE)
compliance with strong performance
and staying power.

Under new Department of Energy regulations, most single-speed pumps will fall out of compliance with low performance, greater wear and tear, and constant cleanliness worries. But for some small pools, pumped water features, and other situations, single speed pumps still make sense. So Pentair has adjusted, by making our single-speed pumps the first and only to use NEMA Premium[®] Efficient* motors for pool applications—to save the most electricity possible and optimize hydraulic horsepower without sacrificing performance. Which means you can offer your customers a single-speed solution that fits their needs and keeps them compliant.

KEY FEATURES

- **Proprietary TEFC**

Motor High-quality proprietary Totally Enclosed Fan-Cooled (TEFC) motor for a long, worry-free life.

- **Maximum Circulation**

Enhanced design and balanced flow enable greater efficiency and reduced operating cost.

- **Innovative Materials**

Improved design drives high innovation in materials, for a total package that stands up to demanding installations and conditions.

- **Legacy of Performance**

These pumps are the result of our 40 years delivering superior performance and earning the industry's critical acclaim.



WhisperFlo High Performance Pump



SuperFlo High Performance Pump

*First single-speed, single-phase, Permanent Split Capacitor motor.

SUPERFLO® & WHISPERFLO® HIGH PERFORMANCE PUMPS

SuperFlo High Performance Pump

- 1.5" internal slip (2" external slip) and quick-disconnect plumbing union for faster disassembly, making it a summer breeze to service.
- Cam and Ramp™ Lid permits easy inspection of the strainer basket, and locks in place with a quarter turn for cleaning that is fast and easy.
- SuperFlo pumps are a high-performing drop-in replacement for the Hayward® Super Pump®.
- Meets DOE minimum efficiency requirements.

WhisperFlo High Performance Pump

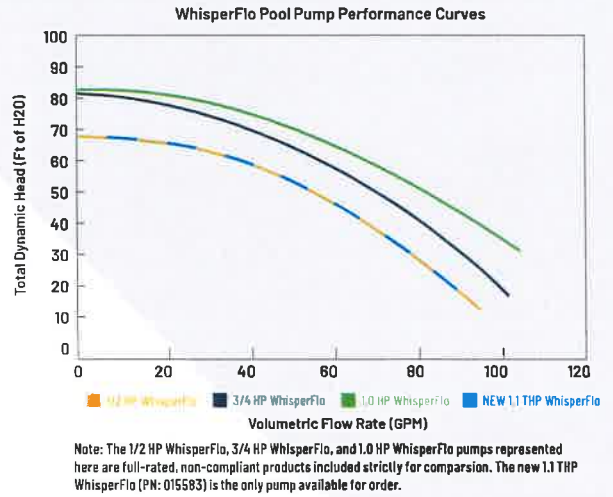
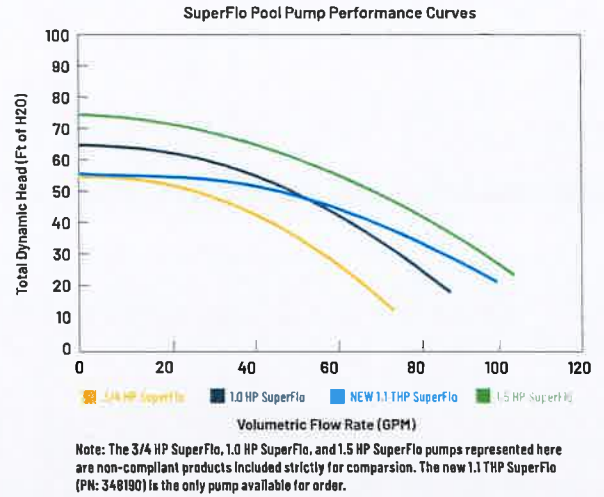
- 2" NPT suction and discharge ports.
- Heavy-duty/durable construction is designed for long life.
- Cam and Ramp™ Lid permits easy inspection of the strainer basket, and locks in place with a quarter turn for cleaning that is fast and easy.
- Meets DOE minimum efficiency requirements.



SuperFlo High Performance Pump



WhisperFlo High Performance Pump



Product Specifications

Part No.	Description	Motor	Electrical	Hydraulic Performance	WEF*
348190	SuperFlo High Performance Pump	1.1 THP NEMA Premium Efficient TEFC	115/208-230VAC at 60hz	0.63 HHP	3.6
015583	WhisperFlo High Performance Pump	1.1 THP NEMA Premium Efficient TEFC	115/208-230VAC at 60hz	0.69 HHP	3.4

*WEF scores vary by product model. See pentair.com for complete details of pumps and their corresponding WEF values.

For bigger pools and pool-pad upgrades, check out our Variable Speed and Flow Pumps.



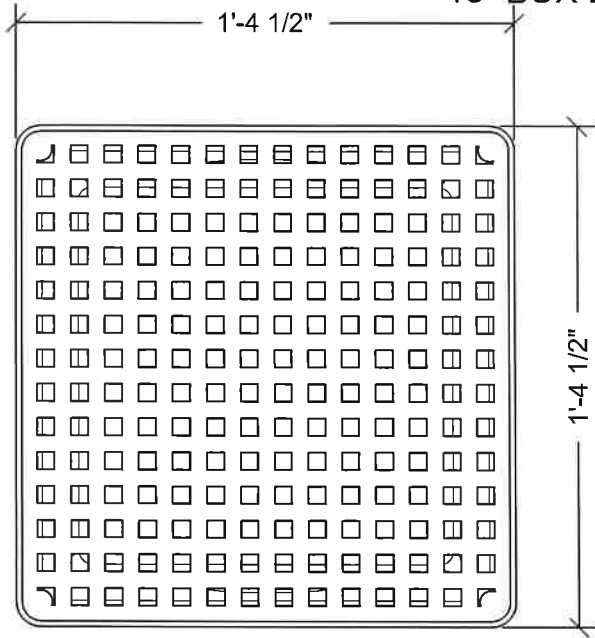
400 Regency Forest Dr | Cary, NC 27518 | United States | 800.831.7133 | pentair.com

All Pentair® Pentair® trademarks and logos are property of Pentair. The Pentair® logo is a registered trademark of Pentair and is used here by permission of their respective owners. Hayward® and Super Pump® are a registered trademark of Hayward Industries, Inc. in the United States and in other countries.

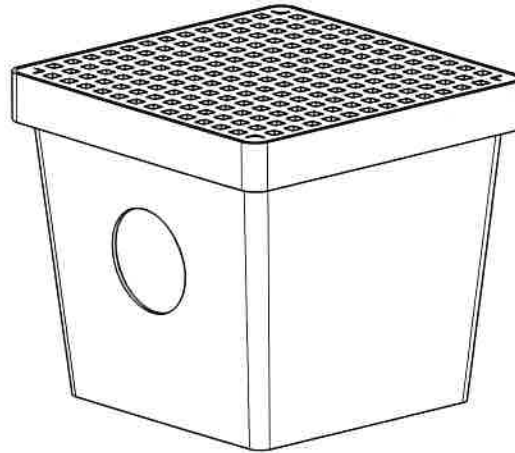
© 2021 Pentair. All rights reserved. Pentair.com



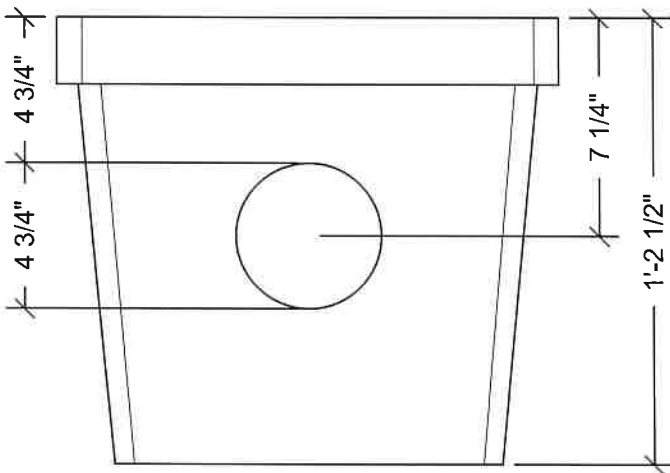
RD428-0
16" BOX DRAIN



TOP VIEW



SCALE
N.T.S.



FRONT VIEW

SPECIFICATIONS:

- MATERIALS: MOLDED HIGH-DENSITY POLYETHYLENE
- ADA COMPLIANT
- AVAILABLE WITH 2, 3, OR 4-HOLE DRAIN SUMP

16" BOX DRAIN

RAINDECK
Ph. 888.445.RAIN
Fax. 866.869.3942
info@raindeck.com

THE USER ASSUMES ALL RESPONSIBILITY OF SERVICE AND THE INTEGRITY OF THE ORIGINAL SITE FOR ANYTHING THAT IS NOT SHOWN HEREIN. THE USER SHALL BE RESPONSIBLE FOR ANY DAMAGE TO THE ORIGINAL SITE FOR ANYTHING THAT IS NOT SHOWN HEREIN. THE USER SHALL BE RESPONSIBLE FOR ANY DAMAGE TO THE ORIGINAL SITE FOR ANYTHING THAT IS NOT SHOWN HEREIN. THE USER SHALL BE RESPONSIBLE FOR ANY DAMAGE TO THE ORIGINAL SITE FOR ANYTHING THAT IS NOT SHOWN HEREIN.

REV.	DATE	BY	DESCRIPTION
△			
△			
△			
△			
△			

RAIN DECK
16" BOX DRAIN

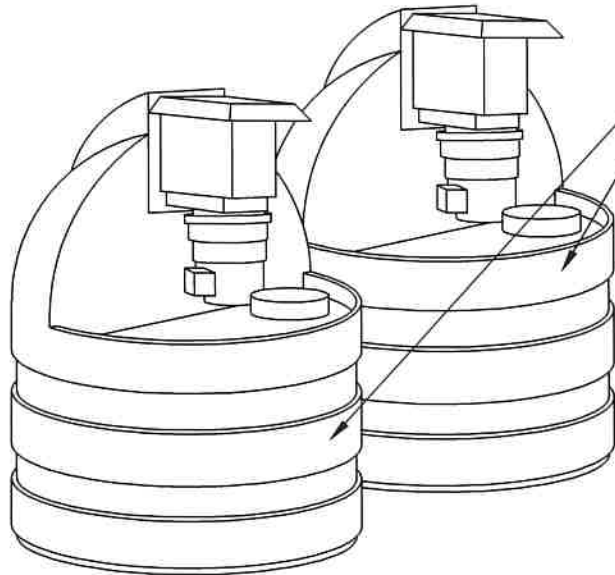
SEAL
DATE

DRAWN BY	RS	REVIEWED BY	RV
DATE	APRIL 2014		
SHEET			
MFR#	RD428-0		

RAIN DECK

CHEMICAL CONTROL SYSTEM

RAINDECK
Ph. 888.445.RAIN
Fax. 866.869.3942
info@raindeck.com



STENNER TANK SYSTEM

- 15 GALLON TANK
- TANK: POLYETHYLENE, CERTIFIED NSF/ANSI 61
- POLYPROPYLENE LID w/ CHILD-RESISTANT LOCK
- PRE-INSTALLED w/ STENNER PUMP MODEL 45M1

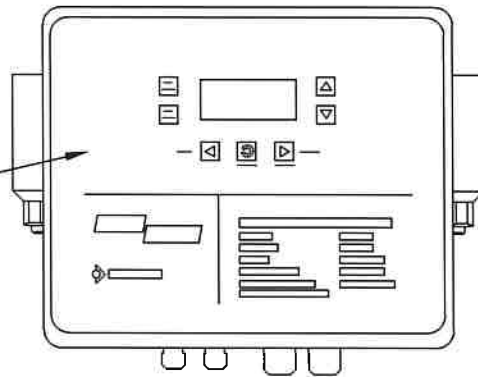
45M1 PUMP

- SINGLE HEAD
- ADJUSTABLE OUTPUT
- MAXIMUM 3 GPD @25 PSI

THIS DRAWING IS THE PROPERTY OF RAIN DECK. USE OF THIS DRAWING AND ALL INFORMATION CONTAINED HEREIN IS RESTRICTED TO THE ORIGINAL SITE FOR WHICH IT WAS PREPARED AND SHALL NOT BE REPRODUCED, COPIED, REPRODUCED OR TRANSMITTED IN ANY FORM OR BY ANY MEANS, ELECTRONIC OR MECHANICAL, INCLUDING PHOTOCOPYING, RECORDING, OR BY ANY INFORMATION STORAGE AND RETRIEVAL SYSTEM. WITHOUT THE WRITTEN PERMISSION OF RAIN DECK, CONTRACTORS SHALL BE COMPLETED BY THE ORIGINAL CONTRACTOR. © 2016 RAIN DECK, INC.

REV.	DATE	BY	DESCRIPTION
△			
△			
△			
△			
△			

RAIN DECK NSF CERTIFIED CHEMICAL CONTROLLER



RAIN DECK
CHEMICAL CONTROL SYSTEM

SEAL

DATE

DRAWN BY RS	REVIEWED BY RV
DATE JANUARY 2016	
SHEET	
MFR# ##	