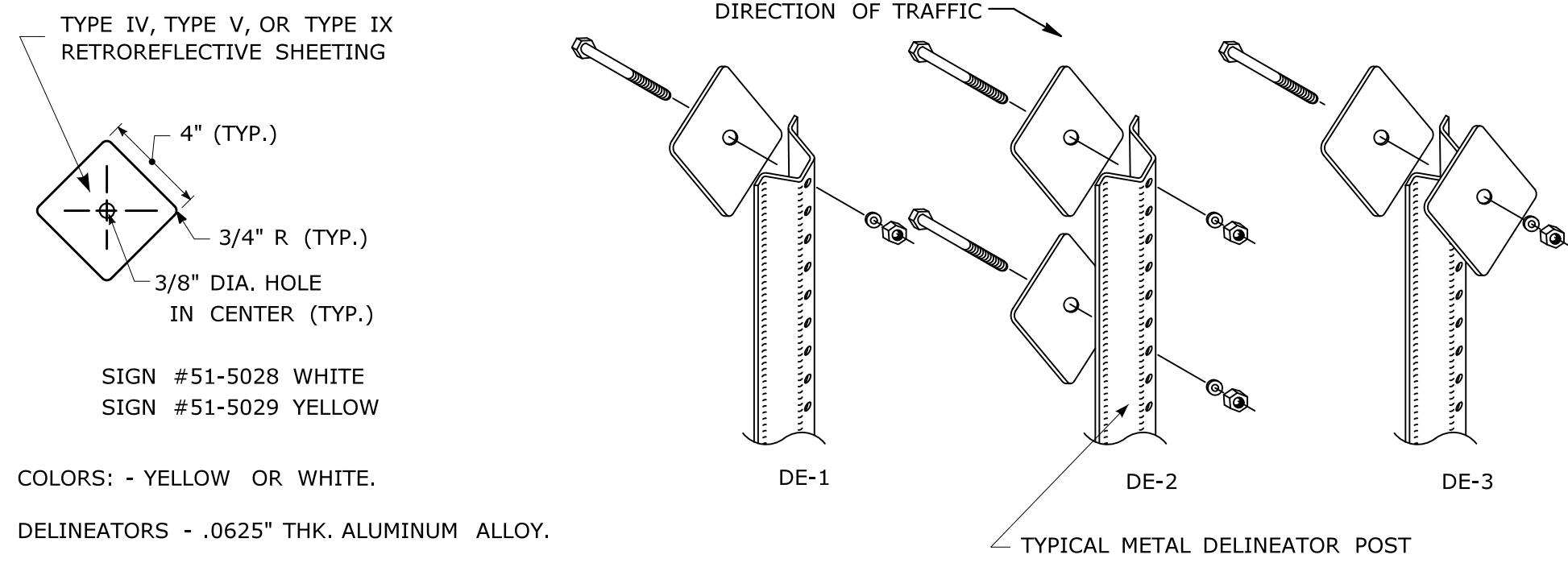




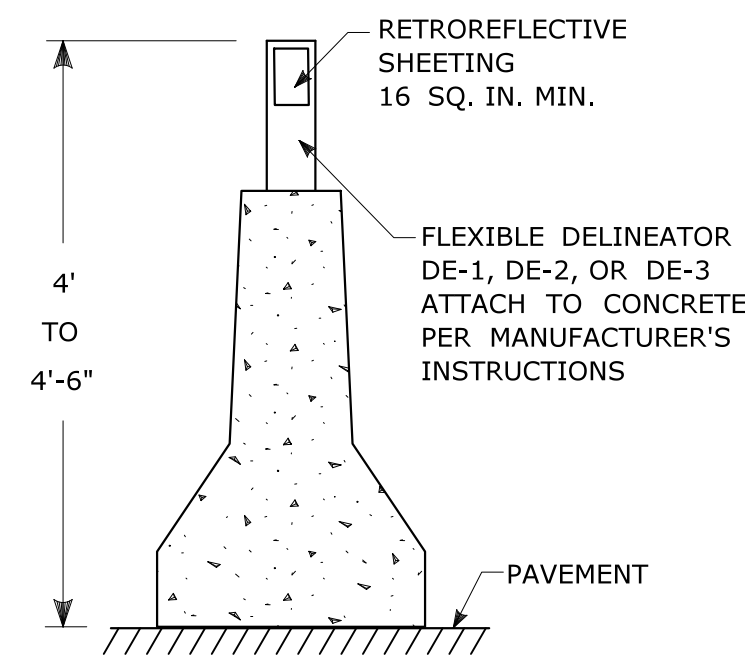
**DELINEATORS DE-1, DE-2, DE-3  
INSTALLATION ON DELINEATOR POSTS**



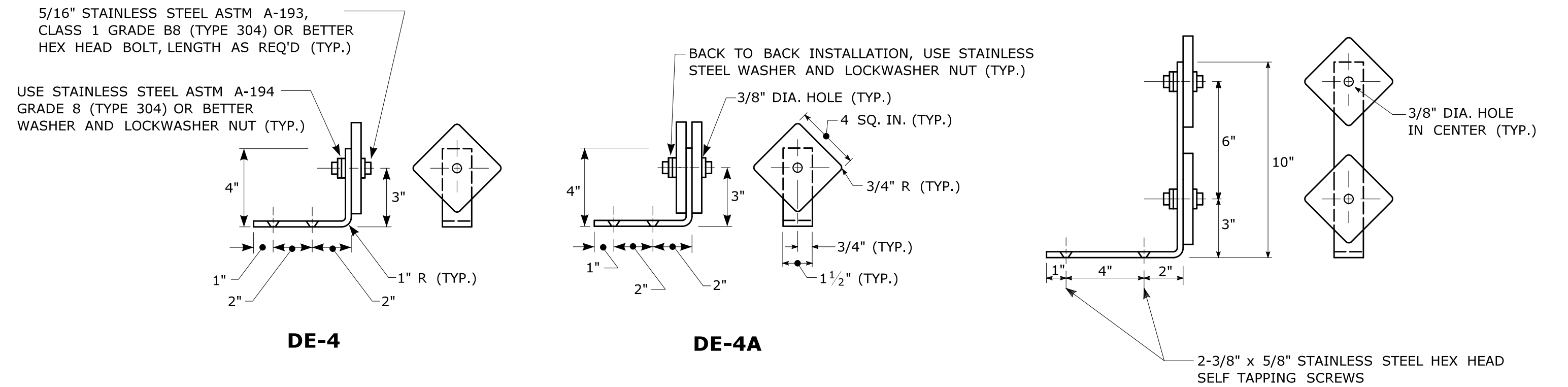
TYPE IV, TYPE V, OR TYPE IX RETROREFLECTIVE SHEETING  
4" (TYP.)  
3/8" DIA. HOLE IN CENTER (TYP.)  
SIGN #51-5028 WHITE  
SIGN #51-5029 YELLOW  
COLORS: - YELLOW OR WHITE.  
DELINEATORS - .0625" THK. ALUMINUM ALLOY.  
FACE SHALL BE PRESSURE SENSITIVE, SELF ADHERING, TYPE IV, TYPE V, OR TYPE IX RETROREFLECTIVE SHEETING.

DELINEATORS SHALL BE FASTENED WITH 5/16" STAINLESS STEEL ASTM A-193 CLASS 1, GRADE B8 (TYPE 304) OR BETTER HEX HEAD BOLT (LENGTH AS REQUIRED), WASHER AND FIBER INSERT SELF LOCKING NUT, ON STANDARD METAL DELINEATOR POST.

**INSTALLATION ON PERMANENT CONCRETE BARRIER, BRIDGE PARAPETS AND RETAINING WALLS**



**DELINEATORS DE-4, DE-4A, DE-5  
FOR INSTALLATION ON METAL BRIDGE RAIL**

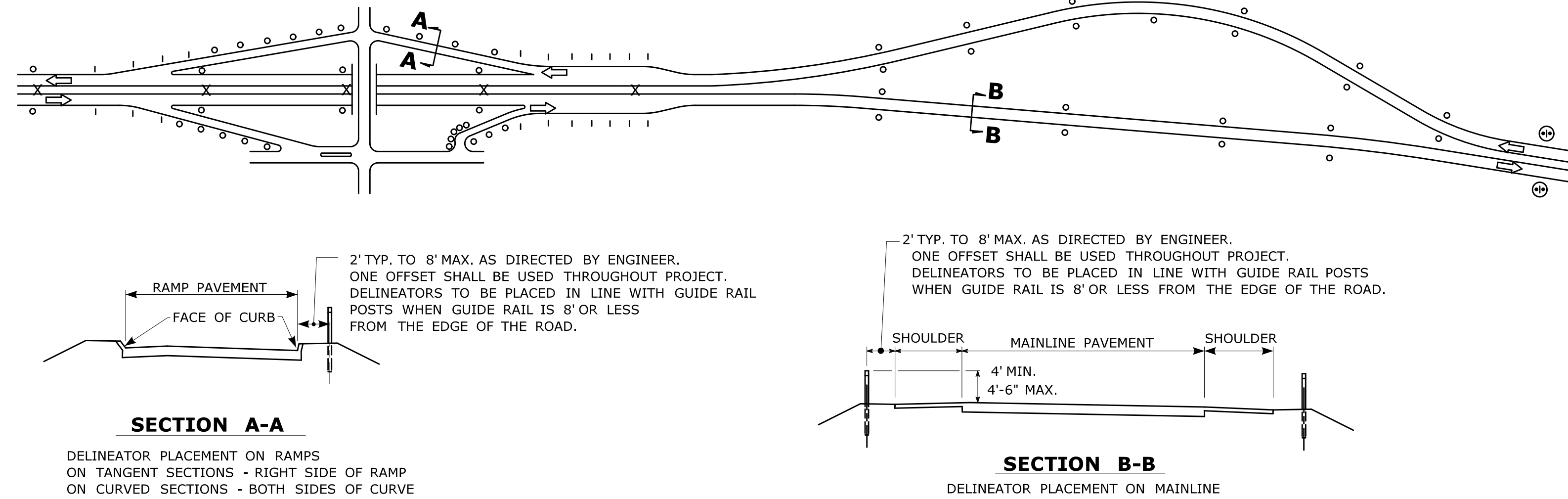


5/16" STAINLESS STEEL ASTM A-193, CLASS 1 GRADE B8 (TYPE 304) OR BETTER HEX HEAD BOLT, LENGTH AS REQ'D (TYP.)  
USE STAINLESS STEEL ASTM A-194 GRADE 8 (TYPE 304) OR BETTER WASHER AND LOCKWASHER NUT (TYP.)  
BACK TO BACK INSTALLATION, USE STAINLESS STEEL WASHER AND LOCKWASHER NUT (TYP.)  
3/8" DIA. HOLE (TYP.)  
4 SQ. IN. (TYP.)  
3/4" R (TYP.)  
3/4" (TYP.)  
1 1/2" (TYP.)  
1" R (TYP.)  
2"  
2"  
1"  
4"  
3"  
6"  
10"  
3/8" DIA. HOLE IN CENTER (TYP.)  
2-3/8" x 5/8" STAINLESS STEEL HEX HEAD SELF TAPPING SCREWS  
COLORS: - YELLOW OR WHITE.  
DELINEATORS - .0625" THK. ALUMINUM ALLOY.  
BRACKET - .125" THK. ALUMINUM ALLOY, AND SHALL CONFORM TO SPECIFICATION M.18.07-03 BRIDGE RAIL MOUNTING BRACKETS.  
FACE SHALL BE PRESSURE SENSITIVE, SELF ADHERING, TYPE IV, TYPE V, OR TYPE IX RETROREFLECTIVE SHEETING.  
USE STAINLESS STEEL WASHERS ON FACE OF DELINEATORS, 5/8" O.D. X 3/8" I.D. X .032" THK. (TYP.)

**DELINEATORS DE-1, DE-2, DE-3 TO BE PAID FOR UNDER SECTION 12.05 DELINEATORS.**

**DELINEATORS TYPE DE-4, DE-4A, AND DE-5 TO BE PAID FOR UNDER SECTION 12.05 DELINEATORS.**

**TYPICAL MAINLINE & INTERCHANGE DELINEATION**



**DELINEATOR SPACING NOTES:**

- 1) AT LOCATIONS WHERE THE MEDIAN WIDTH (BETWEEN SHOULDERS) IS 12' OR LESS, AND MEDIAN BEAM RAIL IS PRESENT, TYPE DE-3 DELINEATORS SHALL BE MOUNTED WITHIN THE MEDIAN BEAM RAIL.
- 2) SPACING ON MAINLINE EXPRESSWAY TANGENTS SHALL BE 400'.
- 3) SPACING ON MAINLINE EXPRESSWAY CURVES SHALL BE AS SPECIFIED IN TABLE 3F-1 OF THE MUTCD.
- 4) ON ACCELERATION AND DECELERATION LANES AND ON-RAMP TANGENT SECTIONS, DELINEATOR SPACING SHALL BE 100'.
- 5) ON CURVED PORTIONS OF RAMP, DELINEATOR SPACING SHALL BE IN ACCORDANCE WITH TABLE 3F-1 OF THE MUTCD, BUT NOT TO EXCEED 100'.

**LEGEND:**

- DE-1 DELINEATORS OR DE-4 DELINEATOR ASSEMBLY
- | DE-2 DELINEATORS OR DE-5 DELINEATOR ASSEMBLY
- X DE-3 DELINEATORS ASSEMBLY OR DE-4A DELINEATOR
- ⊙ D10-1, 2, 3, OR 4 ASSEMBLY TO BE INSTALLED WHERE SHOWN ON PLANS OR AS DIRECTED BY THE ENGINEER.

**COLOR APPLICATION, FOR DE-1 THRU DE-5**

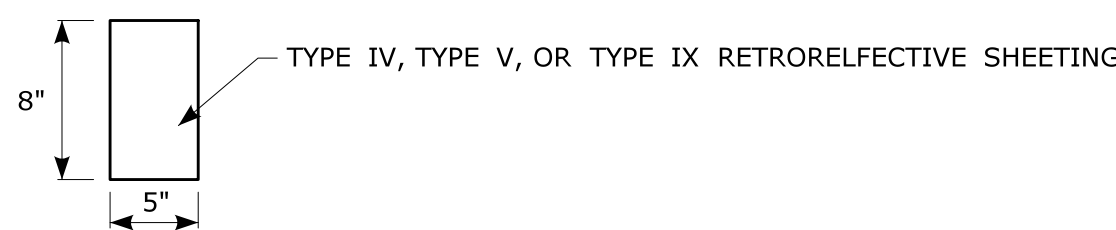
LEFT SIDE OF ALL ROADWAYS AND RAMP - YELLOW  
RIGHT SIDE OF ALL ROADWAYS AND RAMP - WHITE

**MUTCD TABLE 3F-1  
APPROXIMATE SPACING FOR DELINEATORS  
ON HORIZONTAL CURVES**

RADIUS (R) (feet)	APPROXIMATE SPACING (S) ON CURVE (feet)
50	20
115	25
180	35
250	40
300	50
400	55
500	65
600	70
700	75
800	80
900	85
1,000	90

DISTANCE IN FEET WERE ROUNDED TO THE NEAREST 5 FEET. SPACING FOR SPECIFIC RADII MAY BE INTERPOLATED FROM TABLE. THE MINIMUM SPACING SHOULD BE 20 FEET. THE SPACING ON CURVES SHOULD NOT EXCEED 300 FEET. IN ADVANCE OF OR BEYOND A CURVE, AND PROCEEDING AWAY FROM THE END OF THE CURVE, THE SPACING OF THE FIRST DELINEATOR IS 2S, THE SECOND IS 3S, AND THE THIRD 6S BUT NOT TO EXCEED 300 FEET.  
S REFERS TO THE DELINEATOR SPACING FOR SPECIFIC RADII COMPUTED FROM THE FORMULA:  
 $S=3\sqrt{R-50}$ .

**DELINEATORS DE-7, DE-7A, DE-7B, DE-7D FOR  
INSTALLATION ON TEMPORARY PRECAST CONCRETE BARRIER CURB  
AND TEMPORARY PRECAST CONCRETE BARRIER CURB (STRUCTURE)**



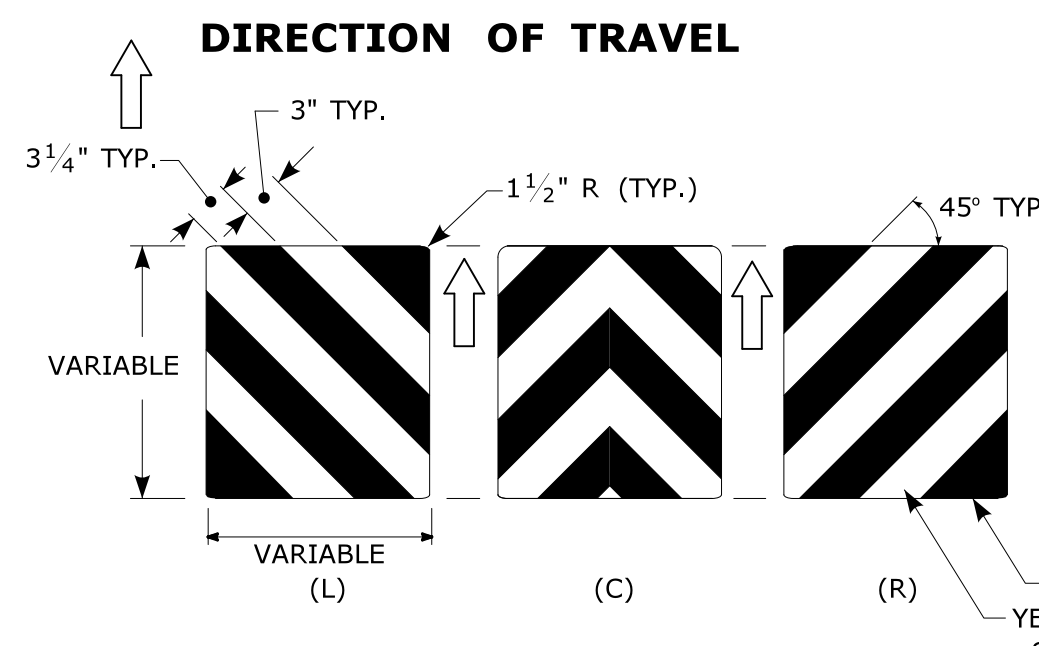
DE-7 ONE WAY WHITE  
DE-7A ONE WAY YELLOW  
DE-7B TWO WAY YELLOW  
DE-7D TWO WAY WHITE  
TEMPORARY PRECAST CONCRETE BARRIER DELINEATORS ARE TO BE FABRICATED OF ALUMINUM, STEEL, PLASTIC, OR OF A MATERIAL APPROVED BY THE ENGINEER AND MOUNTED IN THE CENTER OF EACH SECTION OF TEMPORARY BARRIER AS REQUIRED AND PER MANUFACTURER'S INSTRUCTIONS.

**SPACING FOR TEMPORARY BARRIER CURB DELINEATORS:**

ON THE LEADING TAPERED SECTION - EVERY 20', ON THE FIRST 100' OF THE PARALLEL SECTION - EVERY 20', ON THE REMAINING LENGTH - EVERY 100', MINIMUM OF 2' IF LESS THAN 100',  
ALTERNATING ONE WAY TRAFFIC - EVERY 20', ALL OTHER ROADWAYS SHALL BE DELINEATED IN ACCORDANCE WITH MUTCD.

**DELINEATORS DE-7, DE-7A, DE-7B, AND DE-7D  
TO BE PAID FOR UNDER SECTION 12.05 DELINEATORS.**

**ATTENUATOR REFLECTORS  
SIGN #40-4266**

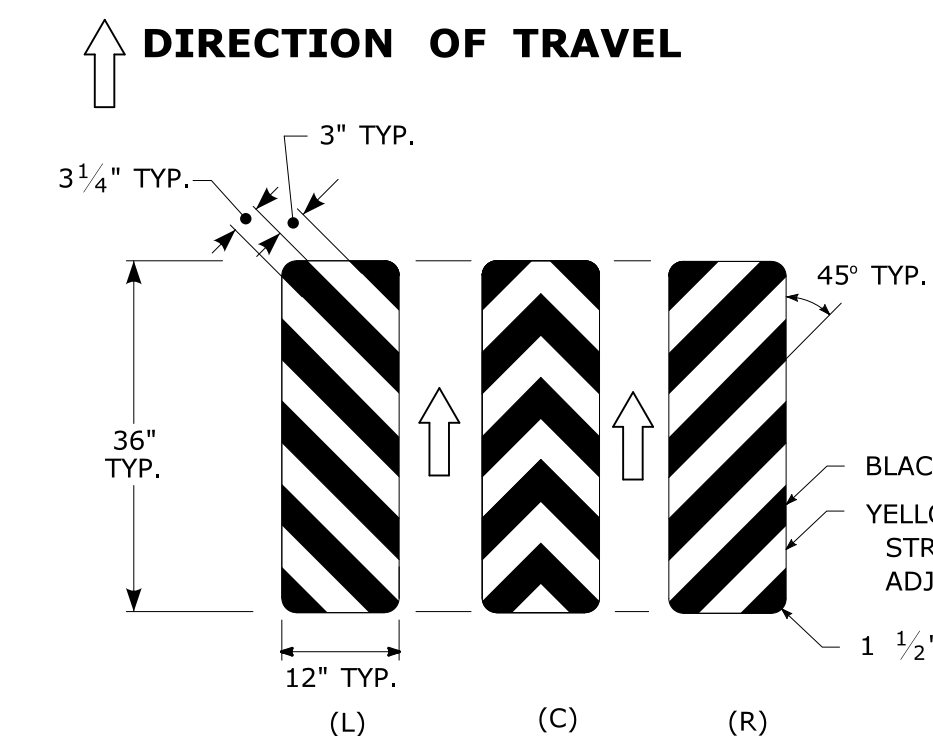


THIS SHEETING WITHOUT A SUBSTRATE TO BE INSTALLED ON THE NOSE OF THE IMPACT ATTENUATOR WITH ADHESIVE IN ACCORDANCE WITH THE MANUFACTURER'S RECOMMENDATIONS. THE SHEETING SHALL COVER THE NOSE OF THE IMPACT ATTENUATOR. ON A CURVED NOSE, THE WIDTH OF THE SHEETING SHALL EXTEND 1" BEYOND THE POINT OF CURVATURE ON EACH SIDE OF THE NOSE. THE HEIGHT AND WIDTH OF THE SHEETING VARIES DEPENDING ON THE SIZE OF THE NOSE OF THE IMPACT ATTENUATOR.

BLACK OPAQUE (TYP.)  
YELLOW TYPE IV OR TYPE IX RETROREFLECTIVE STRIPE (ANGLE DOWNWARD TOWARD ADJACENT PAVEMENT) (TYP.)

**ATTENUATOR REFLECTOR TO BE PAID FOR UNDER SECTION 18.0 IMPACT ATTENUATOR**

**TYPE 3 OBJECT MARKERS  
SIGN #41-4267**



SIGN #41-4267 MARKER MOUNTED ON 4lb. METAL SIGN POST. BOTTOM OF SIGN #41-4267 TO BE 4' ABOVE ADJACENT EDGE OF PAVEMENT. FINAL LOCATIONS OF SIGN #41-4267 MARKERS WILL BE AS SHOWN ON THE PLAN OR AS DIRECTED BY THE ENGINEER.

BLACK OPAQUE (TYP.)  
YELLOW TYPE IX RETROREFLECTIVE STRIPE (ANGLE DOWNWARD TOWARD ADJACENT PAVEMENT) (TYP.)  
1 1/2" R (TYP.)

**TYPE 3 OBJECT MARKER TO BE PAID FOR UNDER SECTION 12.08 SIGN FACE SHEET ALUMINUM**

REV.	DATE	REVISION DESCRIPTION
5	8-2018	INCLUDED DE-7D AND REMOVED DE-7C, DE-9, AND DE-10.
4	4-2017	REVISED ATTENUATOR REFLECTOR AND TYPE 3 OBJECT MARKERS.
3	8-2015	UPDATED PER MUTCD AND FORM 816 JAN 2015 REVISION.
2	2-2011	MINOR REVISIONS.
1	1-2010	INCLUDED DETAILS IN D10-1, D10-2, D10-3 DELINEATORS.

THE INFORMATION, INCLUDING ESTIMATED QUANTITIES OF WORK SHOWN ON THESE SHEETS IS BASED ON LIMITED INVESTIGATIONS BY THE STATE AND IS IN NO WAY WARRANTED TO INDICATE THE CONDITIONS OF ACTUAL QUANTITIES OF WORK WHICH WILL BE REQUIRED.  
Plotted Date: 8/10/2018  
NOT TO SCALE

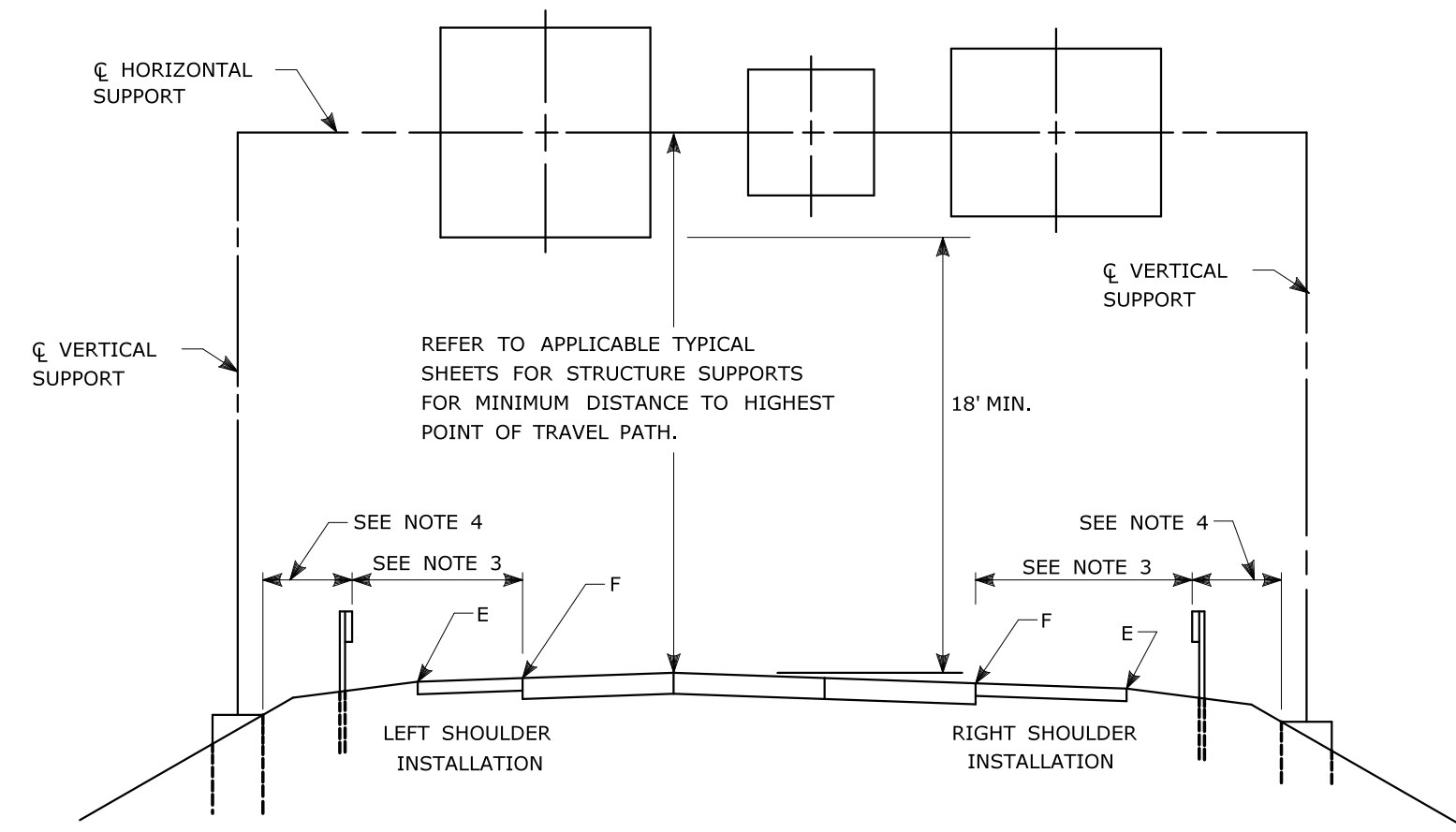
STATE OF CONNECTICUT  
DEPARTMENT OF TRANSPORTATION  
Filename: TR-1205.01.1.2018.dgn Model: TR-1205.01

SUBMITTED BY: NAME/DATE/TIME:  
APPROVED BY: NAME/DATE/TIME:

CTDOT  
STANDARD SHEET  
OFFICE OF ENGINEERING

STANDARD SHEET TITLE:  
**DELINEATION, DELINEATORS  
AND OBJECT MARKER DETAILS**

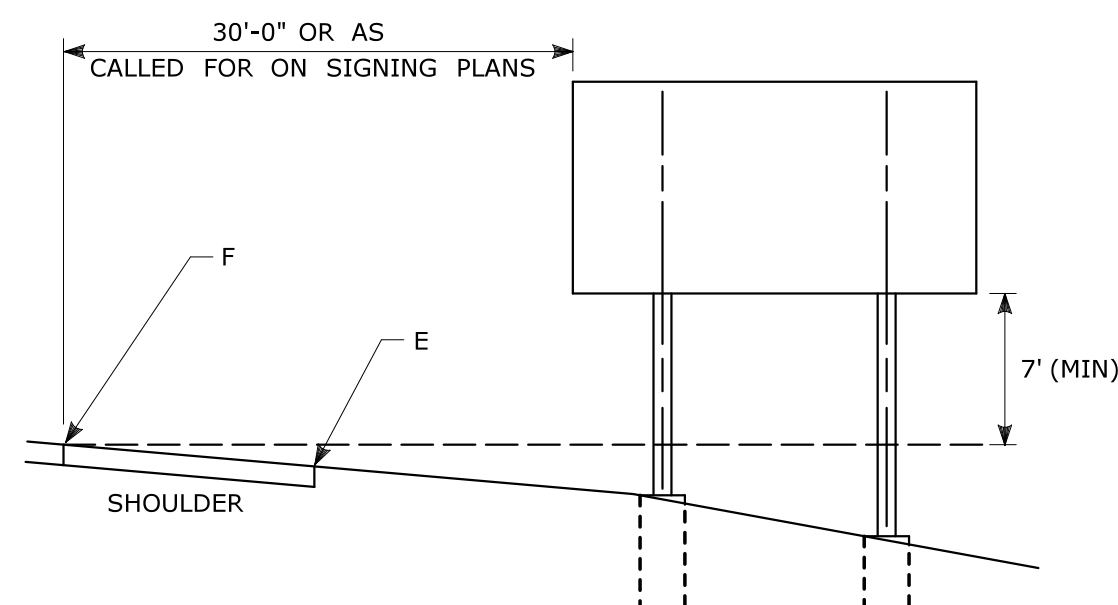
STANDARD SHEET NO.:  
**TR-1205\_01**



**TYPICAL PLACEMENT OF OVERHEAD SIGNS ON SIGN SUPPORTS**

**NOTES:**

- 1) FOR PLACEMENT OF CANTILEVER SIGN SUPPORT USE APPLICABLE PORTION OF ABOVE DETAIL.
- 2) BARRIER SYSTEMS MAY BE REQUIRED FOR BOTH SIDES OF SUPPORTS IN MEDIANS.
- 3) IMPACT PROTECTION SHALL BE PROVIDED FOR THE SIGN SUPPORTS LOCATED WITHIN CLEAR ZONE.
- 4) SIGN SUPPORT FOUNDATIONS SHALL BE LOCATED OUTSIDE OF BARRIER SYSTEMS DEFLECTION AREA.
- 5) ALL SIGNS ARE TO BE LEVEL, REGARDLESS OF CAMBER IN SUPPORT.



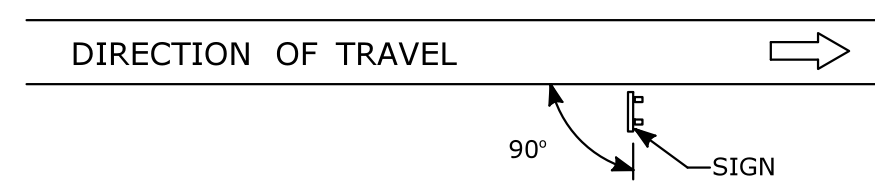
**TYPICAL PLACEMENT OF SIDE MOUNTED SIGNS ON STRUCTURAL STEEL BREAKAWAY SIGN SUPPORTS**

**NOTES:**

- 1) MIN. VERTICAL CLEARANCE ABOVE SIDEWALKS SHALL BE 7'.
- 2) WHERE GUIDE RAIL IS USED, THE OFFSET TO THE NEAR EDGE OF SIGN FACE SHALL BE AS SHOWN ELSEWHERE IN THE CONTRACT PLANS.
- 3) ON INTERSECTING ROADS AT RAMP TERMINI, THE OFFSET TO THE NEAR EDGE OF OF SIGN FACE SHALL BE 6' MIN. FROM POINT "E".
- 4) IF 30'-0" MIN. CANNOT BE MET, PLEASE CONTACT THE ENGINEER.

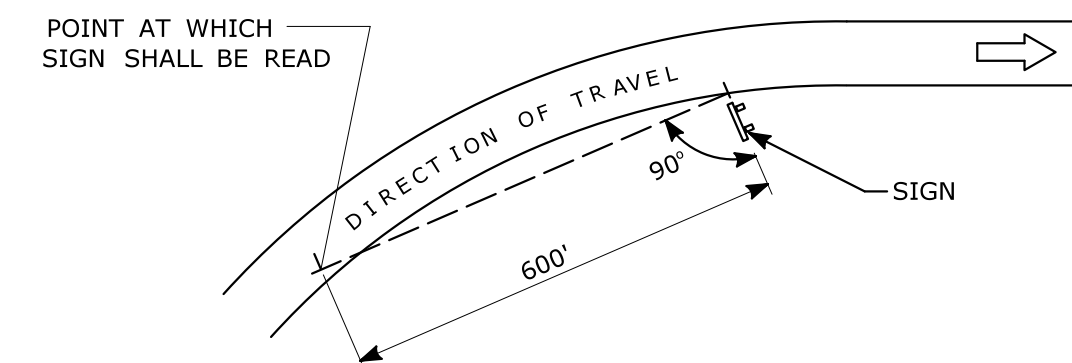
FOR MAXIMUM EFFECTIVENESS, POSITION SIDE MOUNTED SIGNS ON STRUCTURAL STEEL BREAKAWAY SIGN SUPPORTS AS FOLLOWS:

ON A TANGENT SECTION, POSITION THE SIGN SO THE VERTICAL AXIS IS PLUMB AND THE HORIZONTAL AXIS IS AT AN ANGLE OF 90° WITH THE TRAFFIC LANE WHICH THE SIGN SERVES. SIGNS LOCATED 30 FT OR MORE FROM THE EDGE OF THE ROAD SHALL BE TURNED APPROXIMATELY 3° TOWARD THE ROAD.



**DIAGRAM "A"**

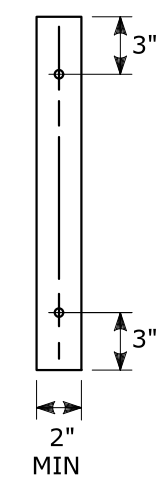
ON A HORIZONTAL CURVE SECTION, POSITION THE SIGN SO THE VERTICAL AXIS IS PLUMB AND THE HORIZONTAL AXIS IS AT AN ANGLE OF 90° WITH A STRAIGHT LINE BETWEEN THE SIGN AND THE POINT AT WHICH THE SIGN SHALL BE READ.



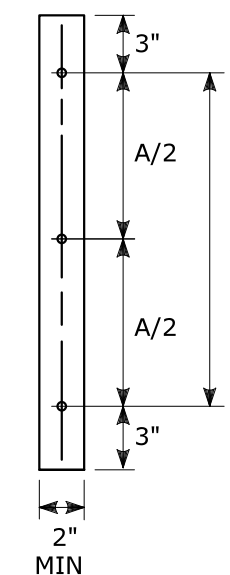
**DIAGRAM "B"**

**SIGN ORIENTATION DETAILS FOR SIDE MOUNTED SIGNS ON STRUCTURAL STEEL BREAKAWAY SIGN SUPPORTS**

RETROREFLECTIVE STRIPS 48" LONG OR LESS:



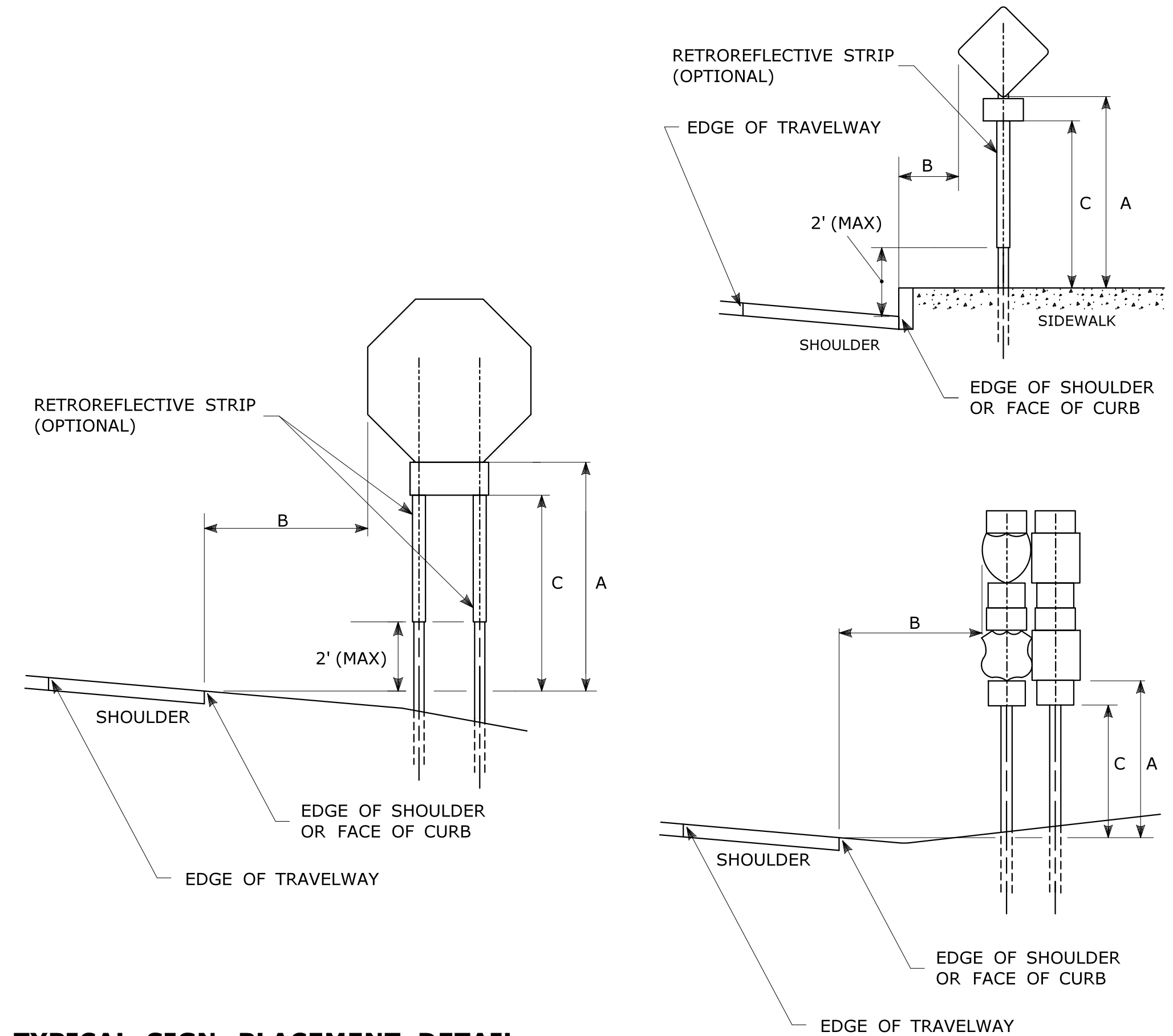
RETROREFLECTIVE STRIPS OVER 48" LONG:



**RETROREFLECTIVE STRIP DETAIL**

**NOTES:**

- RETROREFLECTIVE STRIPS WHICH ARE 48 IN LONG OR LESS SHALL BE ATTACHED USING 2 BOLTS AND RETROREFLECTIVE STRIPS OVER 48 IN LONG SHALL BE ATTACHED USING 3 BOLTS AS SHOWN ON THE DETAILS ABOVE. REFER TO STANDARD SHEET No. TR-1208.02 "METAL SIGN POSTS AND SIGN MOUNTING DETAILS" FOR MOUNTING DETAILS.
- RETROREFLECTIVE STRIP COLOR SHALL MATCH THE BACKGROUND COLOR OF THE SIGN, EXCEPT THAT THE COLOR OF THE STRIP FOR "YIELD" AND "DO NOT ENTER" SIGNS SHALL BE RED.



**TYPICAL SIGN PLACEMENT DETAIL**

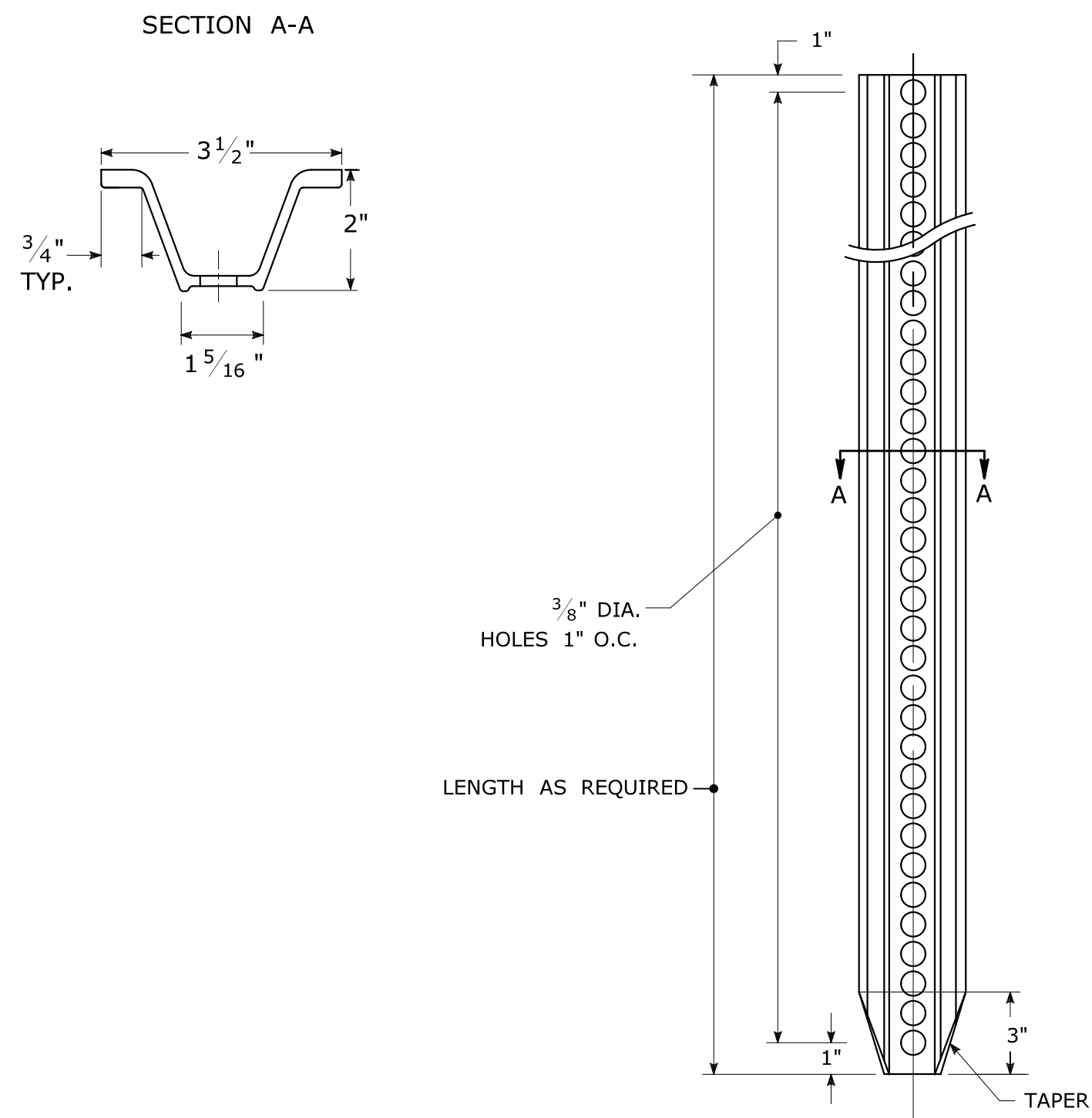
**NOTES:**

- ALL SIGNS AND SHIELDS ON DIRECTIONAL ASSEMBLIES SHALL ABUT VERTICALLY. REFER TO STANDARD SHEET No. TR-1208.02 "METAL SIGN POSTS AND SIGN MOUNTING DETAILS" FOR SIGN POSTS AND SIGN MOUNTING.
- IF A RETROREFLECTIVE STRIP IS USED ON SIGN SUPPORT, IT SHALL BE PLACED FOR THE FULL LENGTH OF THE SUPPORT FROM THE BOTTOM OF THE SIGN TO WITHIN 2 FT ABOVE THE EDGE OF THE ROADWAY. PARKING SIGNS TYPICALLY USE 45° MOUNTING BRACKET.

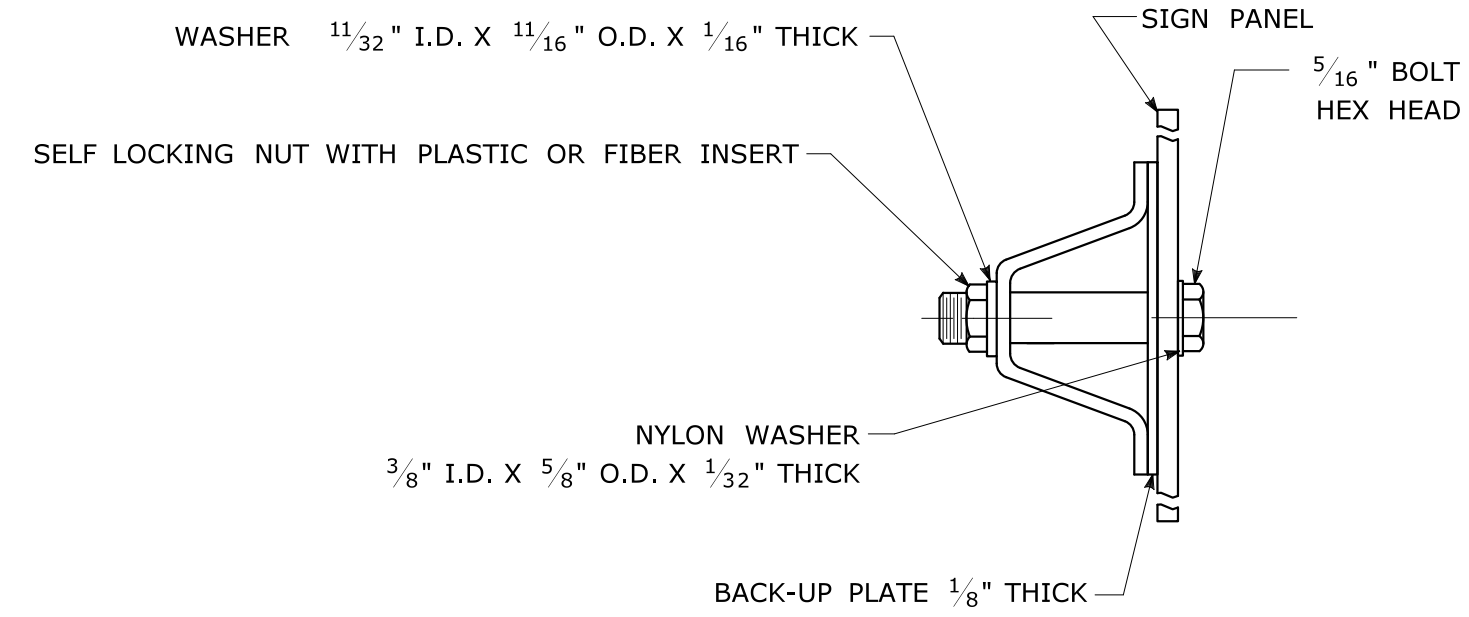
DIM."A" MIN SIGN HEIGHT	DIM."B" MIN LATERAL OFFSET (1)	DIM."C" MIN PLAQUE HEIGHT (1)	ASSEMBLY LOCATION
7' (2)	6' 12' (3)	5'	SIGNS ON FREEWAYS AND EXPRESSWAYS EXCEPT CHEVRON ALIGNMENT SIGNS, ONE-DIRECTION LARGE ARROW SIGNS, DO NOT ENTER SIGNS, AND WRONG WAY SIGNS
5'	2'	4'	<ul style="list-style-type: none"> <li>• SIGNS IN RURAL AREAS</li> <li>• DO NOT ENTER AND WRONG WAY SIGNS ALONG EXIT RAMP</li> <li>• DO NOT ENTER AND WRONG WAY SIGNS ON LIMITED ACCESS HIGHWAYS</li> </ul>
5'	2'	N/A	<ul style="list-style-type: none"> <li>• CHEVRON ALIGNMENT SIGNS LOCATED ON FREEWAYS, EXPRESSWAYS, RAMP, AND IN RURAL AREAS</li> <li>• ONE-DIRECTION LARGE ARROW SIGNS LOCATED ON FREEWAYS, EXPRESSWAYS, RAMP, AND IN RURAL AREAS</li> </ul>
4'	6' 12' (3)	N/A	INCIDENT MANAGEMENT SIGNS AND MILE POST MARKER ASSEMBLIES LOCATED ON FREEWAYS AND EXPRESSWAYS
4'	2'	4'	CENTRAL ISLANDS OF ROUNDABOUTS
7'	2' (4)	6'	BUSINESS & RESIDENTIAL AREAS WHERE PARKING OR OTHER OBSTRUCTIONS LIMIT VISIBILITY
7'	2' (4)	7'	SIDEWALKS (5)

- (1) OR AS DIRECTED BY THE ENGINEER
- (2) 8 FT MINIMUM HEIGHT REQUIRED IF A SUPPLEMENTAL PLAQUE IS SUBMOUNTED BELOW THE MAJOR SIGN.
- (3) 6 FT FROM EDGE OF SHOULDER, WHEN SHOULDER IS OVER 6 FT WIDE 12 FT FROM EDGE OF TRAVELWAY, WHEN SHOULDER IS LESS THAN 6 FT WIDE.
- (4) A LATERAL OFFSET OF AT LEAST 1 FT FROM THE FACE OF THE CURB MAY BE USED WHERE SIDEWALK WIDTH IS LIMITED OR WHERE EXISTING UTILITY POLES ARE CLOSE TO THE CURB.
- (5) A CLEAR PATH OF NOT LESS THAN 4 FT SHALL BE PROVIDED IN SIDEWALK AREAS.

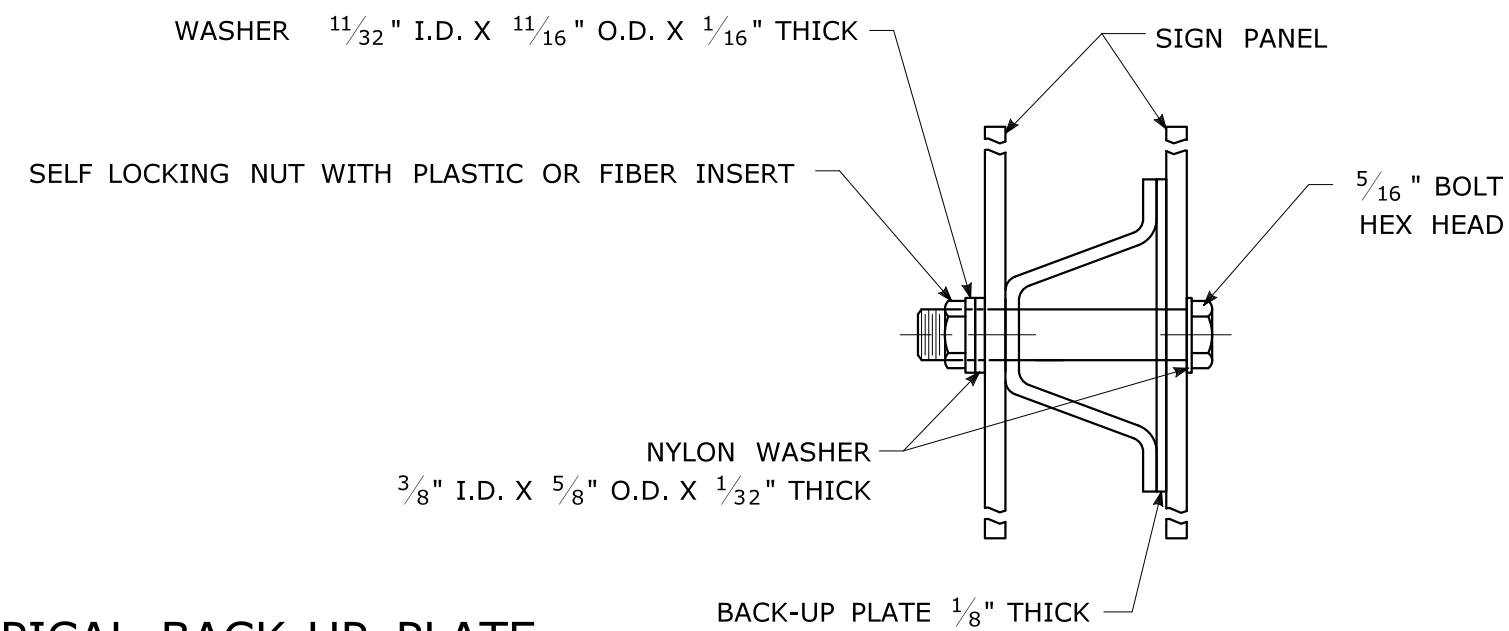
TYPICAL METAL SIGN POSTS



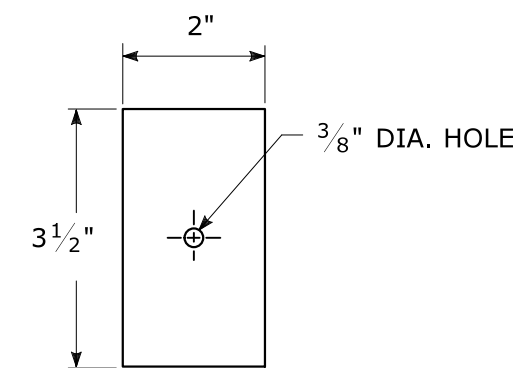
TYPICAL SIGN PANEL ATTACHMENT



TYPICAL BACK TO BACK SIGN PANEL ATTACHMENT



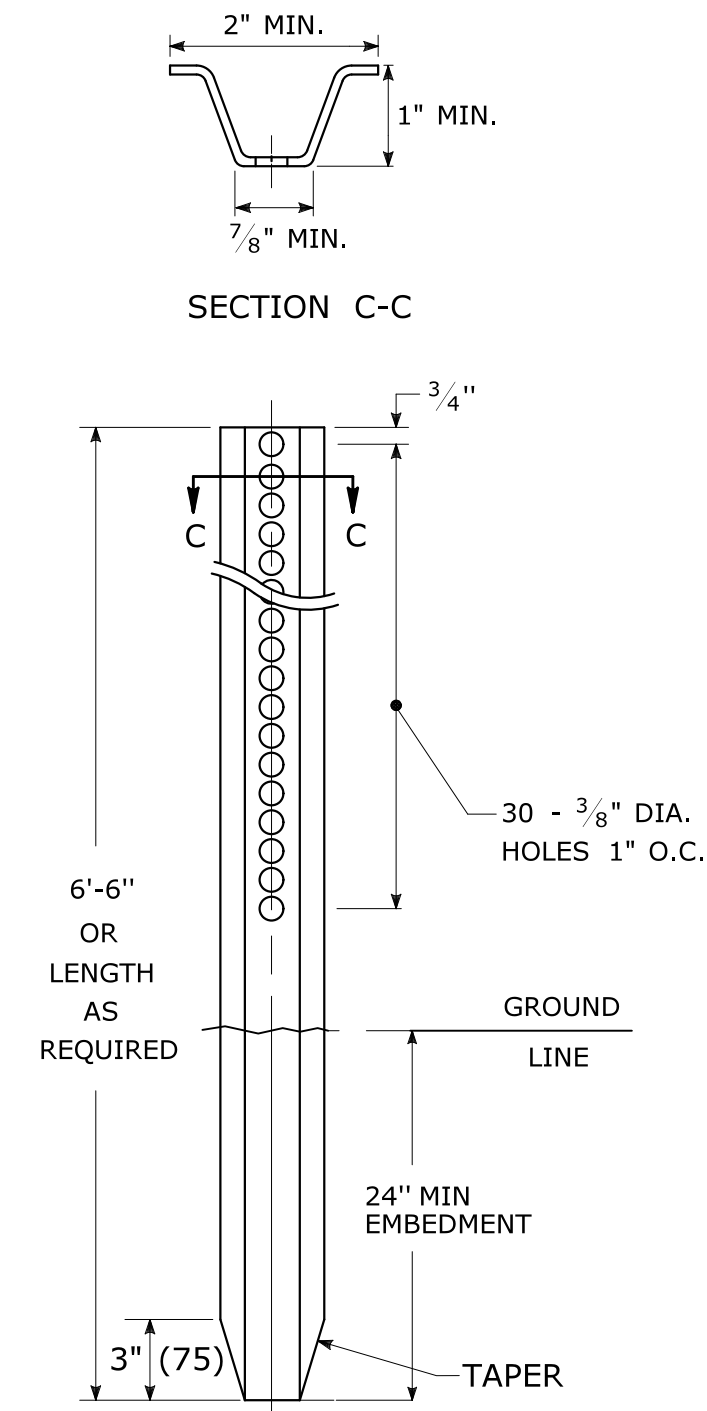
TYPICAL BACK-UP PLATE



BOLTS - STAINLESS STEEL CONFORMING TO ASTM F593, ALLOY GROUP 1 OR 2 (ALLOY TYPES 304 OR 316).  
 SELF LOCKING NUTS - STAINLESS STEEL CONFORMING TO ASTM F594, ALLOY GROUP 1 OR 2 (ALLOY TYPES 304 OR 316).  
 WASHERS - STAINLESS STEEL CONFORMING TO ASTM A240, (ALLOY TYPES 304 OR 316).

METAL DELINEATOR POST

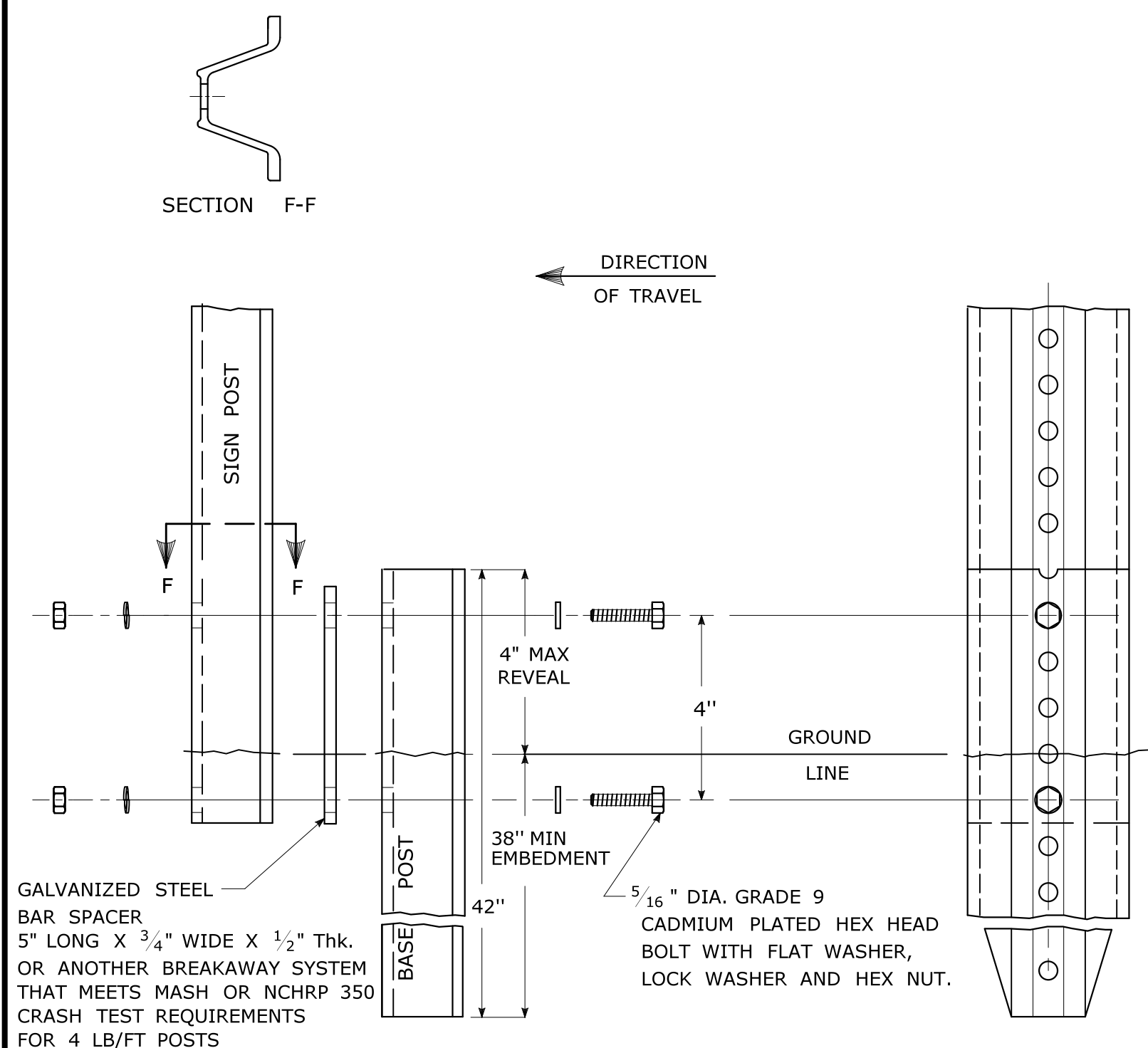
WT./FT. = 1.12 LBS./FT. MIN.



GENERAL NOTES:

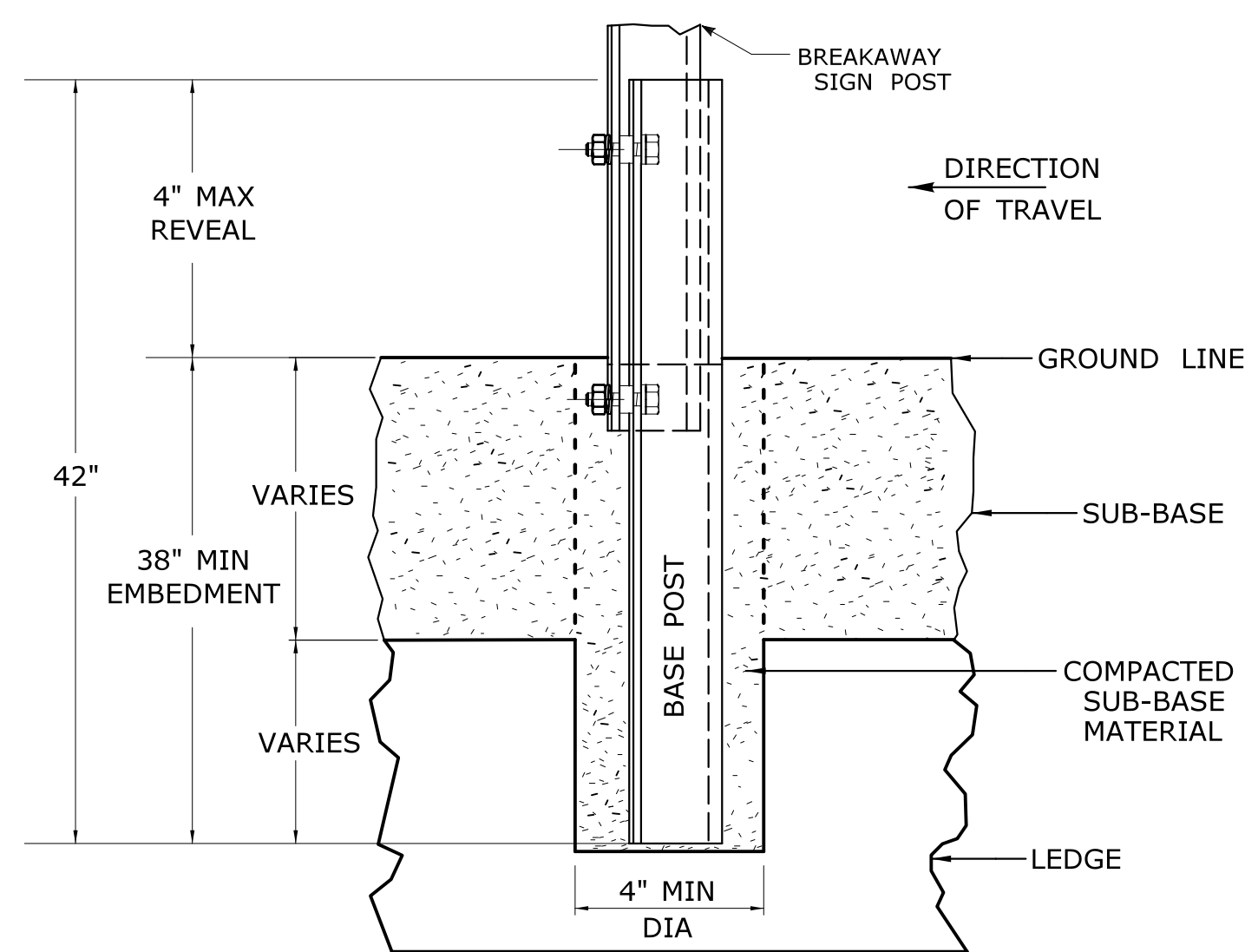
- STEEL FOR DELINEATOR POSTS SHALL BE ASTM A36 STEEL. STEEL FOR ALL OTHER POSTS SHALL CONFORM TO THE MECHANICAL REQUIREMENTS OF ASTM A 499 GRADE 80 AND TO THE CHEMICAL REQUIREMENTS OF ASTM A1 CARBON STEEL TEE RAIL HAVING NOMINAL WEIGHT (MASS) OF 91 LBS. OR GREATER PER LINEAR YARD.
- AFTER FABRICATION, ALL STEEL POSTS, STRAPS AND PLATES SHALL BE GALVANIZED TO MEET THE REQUIREMENTS OF ASTM A123.
- WASHERS FOR BREAKAWAY INSTALLATIONS SHALL MEET ASTM F436, TYPE 1.
- SPACER BAR FOR BREAKAWAY INSTALLATION SHALL CONFORM TO THE MECHANICAL REQUIREMENTS OF ASTM A36.
- ALL BOLTS, NUTS, AND WASHERS FOR BREAKAWAY INSTALLATIONS SHALL BE GALVANIZED TO MEET THE REQUIREMENTS OF ASTM A153.
- ALL SIGN POSTS SHALL HAVE BREAKAWAY FEATURES THAT MEET AASHTO REQUIREMENTS CONTAINED IN THE CURRENT "STANDARD SPECIFICATIONS FOR STRUCTURAL SUPPORTS FOR HIGHWAY SIGNS, LUMINAIRES AND TRAFFIC SIGNALS." THE BREAKAWAY FEATURES SHALL BE STRUCTURALLY ADEQUATE TO CARRY THE SIGNS SHOWN IN THE PLANS AT 60 MPH WIND LOADINGS. INSTALLATIONS SHALL BE IN ACCORDANCE WITH MANUFACTURERS RECOMMENDATIONS.
- SIGN POSTS SHALL BE 4 LBS./FT.

BREAKAWAY INSTALLATION FOR 4 LBS./FT. POSTS

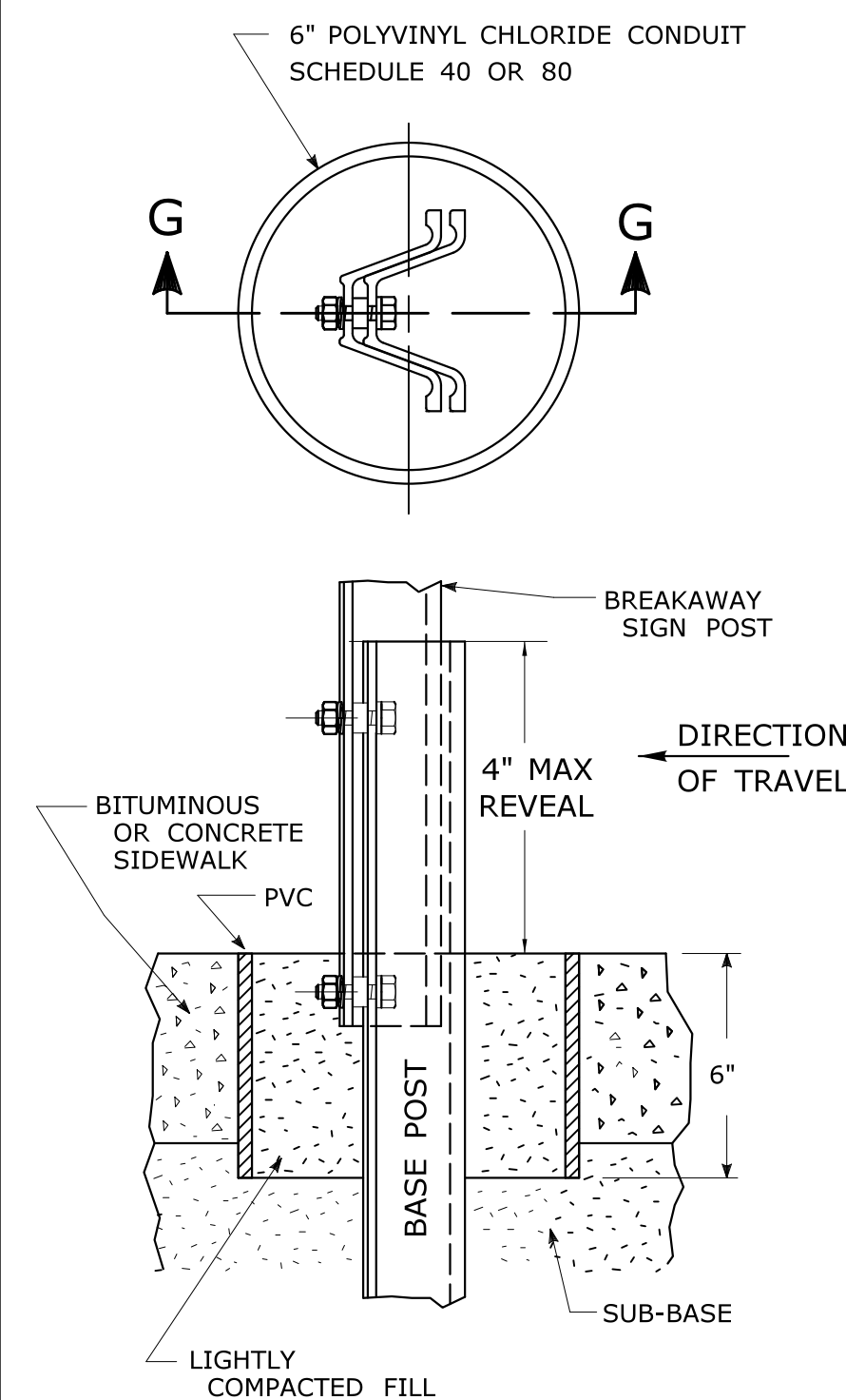


TYPICAL SIGN POST INSTALLATION IN LEDGE

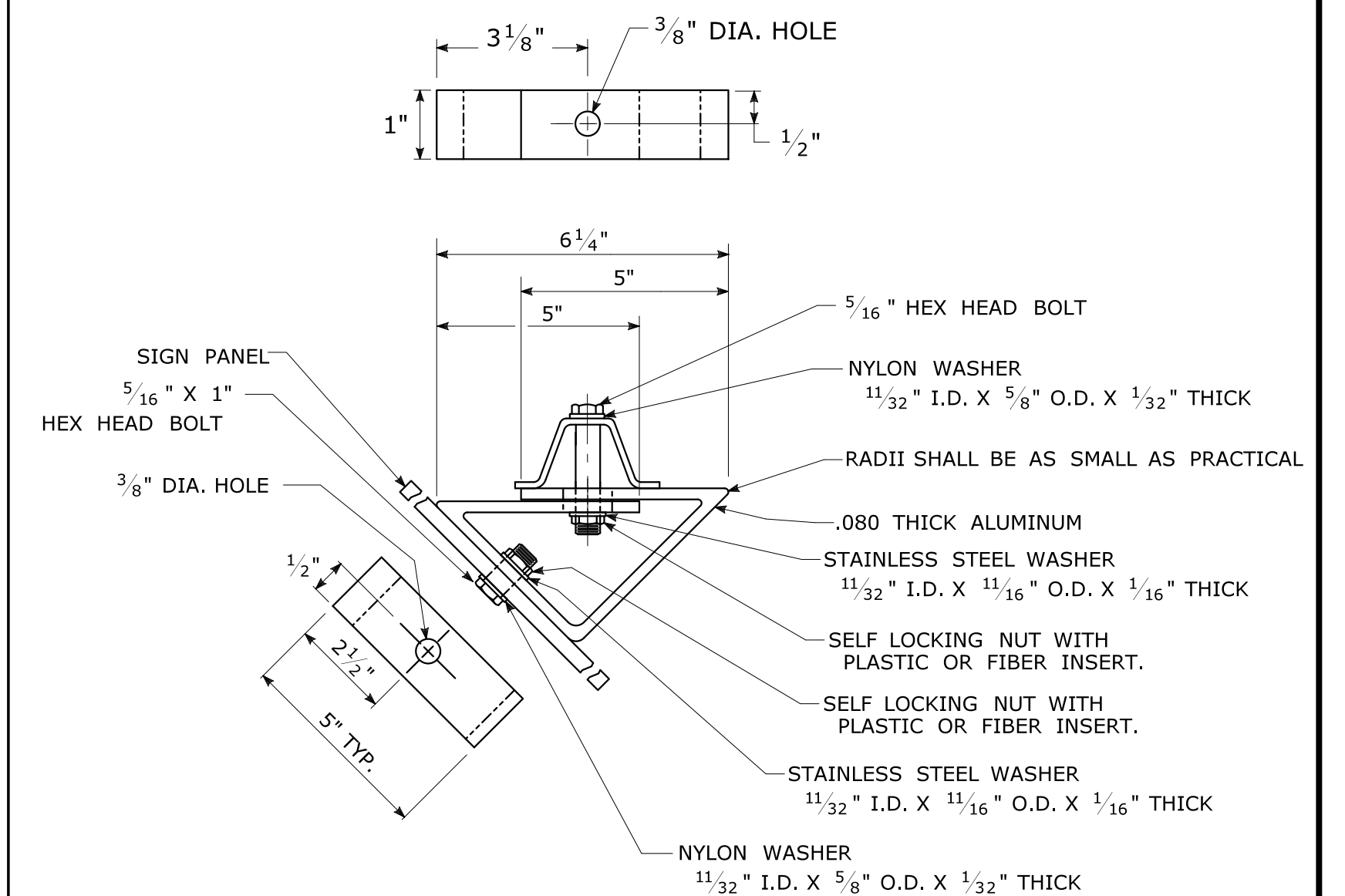
LEDGE SHALL BE REMOVED TO DRIVE THE BASE POST TO A DEPTH OF 38".  
 HOLE SHALL BE FILLED WITH SUB-BASE MATERIAL AND COMPACTED WITH A TAMPING BAR, OR TECHNIQUE APPROVED BY THE ENGINEER, PRIOR TO BASE POST INSTALLATION.



TYPICAL SLEEVE FOR PAVED AREAS



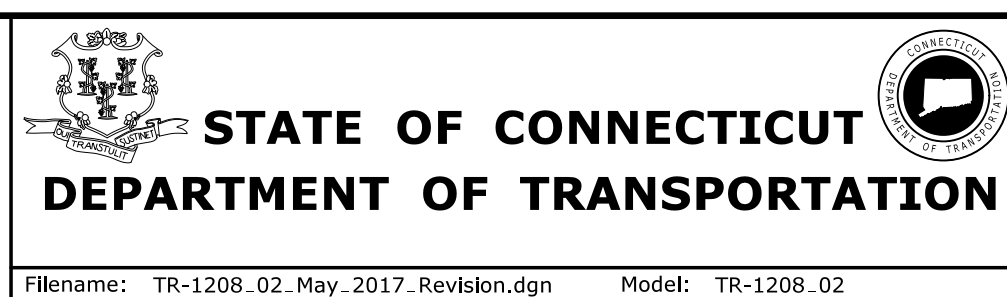
45° MOUNTING BRACKET FOR INSTALLATION OF PARKING SIGNS



REV.	DATE	REVISION DESCRIPTION
2	6-2017	SIGN POST REVISIONS.
1	2-2011	MINOR REVISIONS.

Plotted Date: 6/6/2017

NOT TO SCALE



SUBMITTED BY: NAME/DATE/TIME:  
 APPROVED BY: NAME/DATE/TIME:

CTDOT  
 STANDARD SHEET  
 OFFICE OF ENGINEERING

STANDARD SHEET TITLE:  
**METAL SIGN POSTS  
 AND SIGN MOUNTING DETAILS**

GUIDE SHEET NO.:  
**TR-1208\_02**



E5 - SERIES				G20 - SERIES				M4 - SERIES				R1 - SERIES				R9 & R11 - SERIES				W1 - SERIES				W3 - SERIES																																																																																																																																		
<p>COPY &amp; BORDER - WHITE BACKGROUND - GREEN</p> <table border="1"> <thead> <tr> <th>AREA (SQ. FT)</th> <th>SIZE (INCHES)</th> <th>CONN. D.O.T. #</th> <th>POSTS</th> </tr> </thead> <tbody> <tr> <td>16.0</td> <td>48</td> <td>51-6147</td> <td>2</td> </tr> </tbody> </table>				AREA (SQ. FT)	SIZE (INCHES)	CONN. D.O.T. #	POSTS	16.0	48	51-6147	2	<p>END ROAD WORK</p> <table border="1"> <thead> <tr> <th>AREA (SQ. FT)</th> <th>SIZE (INCHES)</th> <th>CONN. D.O.T. #</th> <th>POSTS</th> </tr> </thead> <tbody> <tr> <td>8.0</td> <td>48X24</td> <td>80-9612</td> <td>2</td> </tr> </tbody> </table>				AREA (SQ. FT)	SIZE (INCHES)	CONN. D.O.T. #	POSTS	8.0	48X24	80-9612	2	<p>DETOUR</p> <table border="1"> <thead> <tr> <th>AREA (SQ. FT)</th> <th>SIZE (INCHES)</th> <th>CONN. D.O.T. #</th> <th>POSTS</th> </tr> </thead> <tbody> <tr> <td>2.0</td> <td>24X12</td> <td>80-9707</td> <td>1</td> </tr> </tbody> </table>				AREA (SQ. FT)	SIZE (INCHES)	CONN. D.O.T. #	POSTS	2.0	24X12	80-9707	1	<p>STOP</p> <table border="1"> <thead> <tr> <th>AREA (SQ. FT)</th> <th>SIZE (INCHES)</th> <th>CONN. D.O.T. #</th> <th>POSTS</th> </tr> </thead> <tbody> <tr> <td>5.19</td> <td>30</td> <td>31-0552</td> <td>1</td> </tr> <tr> <td>13.30</td> <td>48</td> <td>31-0557</td> <td>2</td> </tr> </tbody> </table>				AREA (SQ. FT)	SIZE (INCHES)	CONN. D.O.T. #	POSTS	5.19	30	31-0552	1	13.30	48	31-0557	2	<p>SIDEWALK CLOSED</p> <table border="1"> <thead> <tr> <th>AREA (SQ. FT)</th> <th>SIZE (INCHES)</th> <th>CONN. D.O.T. #</th> <th>POSTS</th> </tr> </thead> <tbody> <tr> <td>3.75</td> <td>30X18</td> <td>80-9076</td> <td>1</td> </tr> </tbody> </table>				AREA (SQ. FT)	SIZE (INCHES)	CONN. D.O.T. #	POSTS	3.75	30X18	80-9076	1	<p>ROAD CLOSED 00 MILES AHEAD LOCAL TRAFFIC ONLY</p> <table border="1"> <thead> <tr> <th>AREA (SQ. FT)</th> <th>SIZE (INCHES)</th> <th>CONN. D.O.T. #</th> <th>POSTS</th> </tr> </thead> <tbody> <tr> <td>12.5</td> <td>60X30</td> <td>80-9077</td> <td>2</td> </tr> </tbody> </table>				AREA (SQ. FT)	SIZE (INCHES)	CONN. D.O.T. #	POSTS	12.5	60X30	80-9077	2	<p>W1-4</p> <table border="1"> <thead> <tr> <th>AREA (SQ. FT)</th> <th>SIZE (INCHES)</th> <th>CONN. D.O.T. #</th> <th>POSTS</th> </tr> </thead> <tbody> <tr> <td>9.0</td> <td>36</td> <td>80-9432L</td> <td>1</td> </tr> <tr> <td>9.0</td> <td>36</td> <td>80-9431R</td> <td>1</td> </tr> <tr> <td>16.0</td> <td>48</td> <td>80-9452L</td> <td>2</td> </tr> <tr> <td>16.0</td> <td>48</td> <td>80-9451R</td> <td>2</td> </tr> </tbody> </table>				AREA (SQ. FT)	SIZE (INCHES)	CONN. D.O.T. #	POSTS	9.0	36	80-9432L	1	9.0	36	80-9431R	1	16.0	48	80-9452L	2	16.0	48	80-9451R	2	<p>W3-1</p> <table border="1"> <thead> <tr> <th>AREA (SQ. FT)</th> <th>SIZE (INCHES)</th> <th>CONN. D.O.T. #</th> <th>POSTS</th> </tr> </thead> <tbody> <tr> <td>9.0</td> <td>36</td> <td>80-9050</td> <td>1</td> </tr> <tr> <td>16.0</td> <td>48</td> <td>80-9051</td> <td>2</td> </tr> </tbody> </table>				AREA (SQ. FT)	SIZE (INCHES)	CONN. D.O.T. #	POSTS	9.0	36	80-9050	1	16.0	48	80-9051	2																																							
AREA (SQ. FT)	SIZE (INCHES)	CONN. D.O.T. #	POSTS																																																																																																																																																							
16.0	48	51-6147	2																																																																																																																																																							
AREA (SQ. FT)	SIZE (INCHES)	CONN. D.O.T. #	POSTS																																																																																																																																																							
8.0	48X24	80-9612	2																																																																																																																																																							
AREA (SQ. FT)	SIZE (INCHES)	CONN. D.O.T. #	POSTS																																																																																																																																																							
2.0	24X12	80-9707	1																																																																																																																																																							
AREA (SQ. FT)	SIZE (INCHES)	CONN. D.O.T. #	POSTS																																																																																																																																																							
5.19	30	31-0552	1																																																																																																																																																							
13.30	48	31-0557	2																																																																																																																																																							
AREA (SQ. FT)	SIZE (INCHES)	CONN. D.O.T. #	POSTS																																																																																																																																																							
3.75	30X18	80-9076	1																																																																																																																																																							
AREA (SQ. FT)	SIZE (INCHES)	CONN. D.O.T. #	POSTS																																																																																																																																																							
12.5	60X30	80-9077	2																																																																																																																																																							
AREA (SQ. FT)	SIZE (INCHES)	CONN. D.O.T. #	POSTS																																																																																																																																																							
9.0	36	80-9432L	1																																																																																																																																																							
9.0	36	80-9431R	1																																																																																																																																																							
16.0	48	80-9452L	2																																																																																																																																																							
16.0	48	80-9451R	2																																																																																																																																																							
AREA (SQ. FT)	SIZE (INCHES)	CONN. D.O.T. #	POSTS																																																																																																																																																							
9.0	36	80-9050	1																																																																																																																																																							
16.0	48	80-9051	2																																																																																																																																																							
<p>WORK AREA BE PREPARED TO STOP</p> <table border="1"> <thead> <tr> <th>AREA (SQ. FT)</th> <th>SIZE (INCHES)</th> <th>CONN. D.O.T. #</th> <th>POSTS</th> </tr> </thead> <tbody> <tr> <td>9.0</td> <td>36</td> <td>80-9711</td> <td>1</td> </tr> <tr> <td>16.0</td> <td>48</td> <td>80-9712</td> <td>2</td> </tr> </tbody> </table>				AREA (SQ. FT)	SIZE (INCHES)	CONN. D.O.T. #	POSTS	9.0	36	80-9711	1	16.0	48	80-9712	2	<p>END DETOUR</p> <table border="1"> <thead> <tr> <th>AREA (SQ. FT)</th> <th>SIZE (INCHES)</th> <th>CONN. D.O.T. #</th> <th>POSTS</th> </tr> </thead> <tbody> <tr> <td>3.0</td> <td>24X18</td> <td>80-9708</td> <td>1</td> </tr> </tbody> </table>				AREA (SQ. FT)	SIZE (INCHES)	CONN. D.O.T. #	POSTS	3.0	24X18	80-9708	1	<p>DETOUR</p> <table border="1"> <thead> <tr> <th>AREA (SQ. FT)</th> <th>SIZE (INCHES)</th> <th>CONN. D.O.T. #</th> <th>POSTS</th> </tr> </thead> <tbody> <tr> <td>6.0</td> <td>48X18</td> <td>80-9701R</td> <td>2</td> </tr> <tr> <td>6.0</td> <td>48X18</td> <td>80-9702L</td> <td>2</td> </tr> </tbody> </table>				AREA (SQ. FT)	SIZE (INCHES)	CONN. D.O.T. #	POSTS	6.0	48X18	80-9701R	2	6.0	48X18	80-9702L	2	<p>YIELD</p> <table border="1"> <thead> <tr> <th>AREA (SQ. FT)</th> <th>SIZE (INCHES)</th> <th>CONN. D.O.T. #</th> <th>POSTS</th> </tr> </thead> <tbody> <tr> <td>3.90</td> <td>36</td> <td>31-0523</td> <td>1</td> </tr> <tr> <td>10.83</td> <td>60</td> <td>31-0528</td> <td>2</td> </tr> </tbody> </table>				AREA (SQ. FT)	SIZE (INCHES)	CONN. D.O.T. #	POSTS	3.90	36	31-0523	1	10.83	60	31-0528	2	<p>SIDEWALK CLOSED AHEAD CROSS HERE</p> <table border="1"> <thead> <tr> <th>AREA (SQ. FT)</th> <th>SIZE (INCHES)</th> <th>CONN. D.O.T. #</th> <th>POSTS</th> </tr> </thead> <tbody> <tr> <td>3.0</td> <td>24X18</td> <td>80-9074</td> <td>1</td> </tr> </tbody> </table>				AREA (SQ. FT)	SIZE (INCHES)	CONN. D.O.T. #	POSTS	3.0	24X18	80-9074	1	<p>BRIDGE CLOSED 00 MILES AHEAD LOCAL TRAFFIC ONLY</p> <table border="1"> <thead> <tr> <th>AREA (SQ. FT)</th> <th>SIZE (INCHES)</th> <th>CONN. D.O.T. #</th> <th>POSTS</th> </tr> </thead> <tbody> <tr> <td>12.5</td> <td>60X30</td> <td>80-9078</td> <td>2</td> </tr> </tbody> </table>				AREA (SQ. FT)	SIZE (INCHES)	CONN. D.O.T. #	POSTS	12.5	60X30	80-9078	2	<p>W1-6</p> <table border="1"> <thead> <tr> <th>AREA (SQ. FT)</th> <th>SIZE (INCHES)</th> <th>CONN. D.O.T. #</th> <th>POSTS</th> </tr> </thead> <tbody> <tr> <td>8.0</td> <td>48X24</td> <td>80-9424</td> <td>2</td> </tr> <tr> <td>12.5</td> <td>60X30</td> <td>80-9423</td> <td>2</td> </tr> </tbody> </table>				AREA (SQ. FT)	SIZE (INCHES)	CONN. D.O.T. #	POSTS	8.0	48X24	80-9424	2	12.5	60X30	80-9423	2	<p>W1-4c</p> <table border="1"> <thead> <tr> <th>AREA (SQ. FT)</th> <th>SIZE (INCHES)</th> <th>CONN. D.O.T. #</th> <th>POSTS</th> </tr> </thead> <tbody> <tr> <td>16.0</td> <td>48</td> <td>80-9434L</td> <td>2</td> </tr> <tr> <td>16.0</td> <td>48</td> <td>80-9435R</td> <td>2</td> </tr> <tr> <td>25.0</td> <td>60</td> <td>80-9483L</td> <td>2</td> </tr> <tr> <td>25.0</td> <td>60</td> <td>80-9485R</td> <td>2</td> </tr> </tbody> </table>				AREA (SQ. FT)	SIZE (INCHES)	CONN. D.O.T. #	POSTS	16.0	48	80-9434L	2	16.0	48	80-9435R	2	25.0	60	80-9483L	2	25.0	60	80-9485R	2	<p>W3-2</p> <table border="1"> <thead> <tr> <th>AREA (SQ. FT)</th> <th>SIZE (INCHES)</th> <th>CONN. D.O.T. #</th> <th>POSTS</th> </tr> </thead> <tbody> <tr> <td>9.0</td> <td>36</td> <td>80-9054</td> <td>1</td> </tr> <tr> <td>16.0</td> <td>48</td> <td>80-9055</td> <td>2</td> </tr> </tbody> </table>				AREA (SQ. FT)	SIZE (INCHES)	CONN. D.O.T. #	POSTS	9.0	36	80-9054	1	16.0	48	80-9055	2															
AREA (SQ. FT)	SIZE (INCHES)	CONN. D.O.T. #	POSTS																																																																																																																																																							
9.0	36	80-9711	1																																																																																																																																																							
16.0	48	80-9712	2																																																																																																																																																							
AREA (SQ. FT)	SIZE (INCHES)	CONN. D.O.T. #	POSTS																																																																																																																																																							
3.0	24X18	80-9708	1																																																																																																																																																							
AREA (SQ. FT)	SIZE (INCHES)	CONN. D.O.T. #	POSTS																																																																																																																																																							
6.0	48X18	80-9701R	2																																																																																																																																																							
6.0	48X18	80-9702L	2																																																																																																																																																							
AREA (SQ. FT)	SIZE (INCHES)	CONN. D.O.T. #	POSTS																																																																																																																																																							
3.90	36	31-0523	1																																																																																																																																																							
10.83	60	31-0528	2																																																																																																																																																							
AREA (SQ. FT)	SIZE (INCHES)	CONN. D.O.T. #	POSTS																																																																																																																																																							
3.0	24X18	80-9074	1																																																																																																																																																							
AREA (SQ. FT)	SIZE (INCHES)	CONN. D.O.T. #	POSTS																																																																																																																																																							
12.5	60X30	80-9078	2																																																																																																																																																							
AREA (SQ. FT)	SIZE (INCHES)	CONN. D.O.T. #	POSTS																																																																																																																																																							
8.0	48X24	80-9424	2																																																																																																																																																							
12.5	60X30	80-9423	2																																																																																																																																																							
AREA (SQ. FT)	SIZE (INCHES)	CONN. D.O.T. #	POSTS																																																																																																																																																							
16.0	48	80-9434L	2																																																																																																																																																							
16.0	48	80-9435R	2																																																																																																																																																							
25.0	60	80-9483L	2																																																																																																																																																							
25.0	60	80-9485R	2																																																																																																																																																							
AREA (SQ. FT)	SIZE (INCHES)	CONN. D.O.T. #	POSTS																																																																																																																																																							
9.0	36	80-9054	1																																																																																																																																																							
16.0	48	80-9055	2																																																																																																																																																							
<p>CONSTRUCTION AHEAD ROAD USE RESTRICTED STATE LIABILITY LIMITED GENERAL STATUTES SEC 13a-115, 13a-145 COMMISSIONER OF TRANSPORTATION</p> <table border="1"> <thead> <tr> <th>AREA (SQ. FT)</th> <th>SIZE (INCHES)</th> <th>CONN. D.O.T. #</th> <th>POSTS</th> </tr> </thead> <tbody> <tr> <td>16-M</td> <td>5.0</td> <td>30X24</td> <td>80-1613</td> <td>1</td> </tr> <tr> <td>16-H</td> <td>17.5</td> <td>60X42</td> <td>80-1608</td> <td>2</td> </tr> <tr> <td>16-E</td> <td>35.0</td> <td>84X60</td> <td>80-1605</td> <td>2</td> </tr> </tbody> </table>				AREA (SQ. FT)	SIZE (INCHES)	CONN. D.O.T. #	POSTS	16-M	5.0	30X24	80-1613	1	16-H	17.5	60X42	80-1608	2	16-E	35.0	84X60	80-1605	2	<p>NEXT 0 MILES</p> <table border="1"> <thead> <tr> <th>AREA (SQ. FT)</th> <th>SIZE (INCHES)</th> <th>CONN. D.O.T. #</th> <th>POSTS</th> </tr> </thead> <tbody> <tr> <td>7.0</td> <td>72X14</td> <td>80-9720</td> <td>2</td> </tr> </tbody> </table>				AREA (SQ. FT)	SIZE (INCHES)	CONN. D.O.T. #	POSTS	7.0	72X14	80-9720	2	<p>DETOUR</p> <table border="1"> <thead> <tr> <th>AREA (SQ. FT)</th> <th>SIZE (INCHES)</th> <th>CONN. D.O.T. #</th> <th>POSTS</th> </tr> </thead> <tbody> <tr> <td>6.0</td> <td>48X18</td> <td>80-9701R</td> <td>2</td> </tr> <tr> <td>6.0</td> <td>48X18</td> <td>80-9702L</td> <td>2</td> </tr> </tbody> </table>				AREA (SQ. FT)	SIZE (INCHES)	CONN. D.O.T. #	POSTS	6.0	48X18	80-9701R	2	6.0	48X18	80-9702L	2	<p>R4 - SERIES</p> <table border="1"> <thead> <tr> <th>AREA (SQ. FT)</th> <th>SIZE (INCHES)</th> <th>CONN. D.O.T. #</th> <th>POSTS</th> </tr> </thead> <tbody> <tr> <td>5.0</td> <td>24X30</td> <td>31-1517</td> <td>1</td> </tr> <tr> <td>12.0</td> <td>36X48</td> <td>31-1518</td> <td>1</td> </tr> <tr> <td>20.0</td> <td>48X60</td> <td>31-1519</td> <td>2</td> </tr> </tbody> </table>				AREA (SQ. FT)	SIZE (INCHES)	CONN. D.O.T. #	POSTS	5.0	24X30	31-1517	1	12.0	36X48	31-1518	1	20.0	48X60	31-1519	2	<p>SIDEWALK CLOSED CROSS HERE</p> <table border="1"> <thead> <tr> <th>AREA (SQ. FT)</th> <th>SIZE (INCHES)</th> <th>CONN. D.O.T. #</th> <th>POSTS</th> </tr> </thead> <tbody> <tr> <td>2.0</td> <td>24X12</td> <td>80-9075</td> <td>1</td> </tr> </tbody> </table>				AREA (SQ. FT)	SIZE (INCHES)	CONN. D.O.T. #	POSTS	2.0	24X12	80-9075	1	<p>ROAD CLOSED TO THRU TRAFFIC</p> <table border="1"> <thead> <tr> <th>AREA (SQ. FT)</th> <th>SIZE (INCHES)</th> <th>CONN. D.O.T. #</th> <th>POSTS</th> </tr> </thead> <tbody> <tr> <td>12.5</td> <td>60X30</td> <td>80-9081</td> <td>2</td> </tr> </tbody> </table>				AREA (SQ. FT)	SIZE (INCHES)	CONN. D.O.T. #	POSTS	12.5	60X30	80-9081	2	<p>W1-8</p> <table border="1"> <thead> <tr> <th>AREA (SQ. FT)</th> <th>SIZE (INCHES)</th> <th>CONN. D.O.T. #</th> <th>POSTS</th> </tr> </thead> <tbody> <tr> <td>3.0</td> <td>18X24</td> <td>80-9401</td> <td>1</td> </tr> <tr> <td>5.0</td> <td>24X30</td> <td>80-9403</td> <td>1</td> </tr> <tr> <td>7.5</td> <td>30X36</td> <td>80-9404</td> <td>1</td> </tr> </tbody> </table>				AREA (SQ. FT)	SIZE (INCHES)	CONN. D.O.T. #	POSTS	3.0	18X24	80-9401	1	5.0	24X30	80-9403	1	7.5	30X36	80-9404	1	<p>W1-4b</p> <table border="1"> <thead> <tr> <th>AREA (SQ. FT)</th> <th>SIZE (INCHES)</th> <th>CONN. D.O.T. #</th> <th>POSTS</th> </tr> </thead> <tbody> <tr> <td>25.0</td> <td>60</td> <td>80-9443L</td> <td>2</td> </tr> <tr> <td>25.0</td> <td>60</td> <td>80-9445R</td> <td>2</td> </tr> <tr> <td>25.0</td> <td>60</td> <td>80-9444L</td> <td>2</td> </tr> <tr> <td>25.0</td> <td>60</td> <td>80-9446R</td> <td>2</td> </tr> </tbody> </table>				AREA (SQ. FT)	SIZE (INCHES)	CONN. D.O.T. #	POSTS	25.0	60	80-9443L	2	25.0	60	80-9445R	2	25.0	60	80-9444L	2	25.0	60	80-9446R	2	<p>W3-3</p> <table border="1"> <thead> <tr> <th>AREA (SQ. FT)</th> <th>SIZE (INCHES)</th> <th>CONN. D.O.T. #</th> <th>POSTS</th> </tr> </thead> <tbody> <tr> <td>9.0</td> <td>36</td> <td>80-9052</td> <td>1</td> </tr> <tr> <td>16.0</td> <td>48</td> <td>80-9053</td> <td>2</td> </tr> </tbody> </table>				AREA (SQ. FT)	SIZE (INCHES)	CONN. D.O.T. #	POSTS	9.0	36	80-9052	1	16.0	48	80-9053	2
AREA (SQ. FT)	SIZE (INCHES)	CONN. D.O.T. #	POSTS																																																																																																																																																							
16-M	5.0	30X24	80-1613	1																																																																																																																																																						
16-H	17.5	60X42	80-1608	2																																																																																																																																																						
16-E	35.0	84X60	80-1605	2																																																																																																																																																						
AREA (SQ. FT)	SIZE (INCHES)	CONN. D.O.T. #	POSTS																																																																																																																																																							
7.0	72X14	80-9720	2																																																																																																																																																							
AREA (SQ. FT)	SIZE (INCHES)	CONN. D.O.T. #	POSTS																																																																																																																																																							
6.0	48X18	80-9701R	2																																																																																																																																																							
6.0	48X18	80-9702L	2																																																																																																																																																							
AREA (SQ. FT)	SIZE (INCHES)	CONN. D.O.T. #	POSTS																																																																																																																																																							
5.0	24X30	31-1517	1																																																																																																																																																							
12.0	36X48	31-1518	1																																																																																																																																																							
20.0	48X60	31-1519	2																																																																																																																																																							
AREA (SQ. FT)	SIZE (INCHES)	CONN. D.O.T. #	POSTS																																																																																																																																																							
2.0	24X12	80-9075	1																																																																																																																																																							
AREA (SQ. FT)	SIZE (INCHES)	CONN. D.O.T. #	POSTS																																																																																																																																																							
12.5	60X30	80-9081	2																																																																																																																																																							
AREA (SQ. FT)	SIZE (INCHES)	CONN. D.O.T. #	POSTS																																																																																																																																																							
3.0	18X24	80-9401	1																																																																																																																																																							
5.0	24X30	80-9403	1																																																																																																																																																							
7.5	30X36	80-9404	1																																																																																																																																																							
AREA (SQ. FT)	SIZE (INCHES)	CONN. D.O.T. #	POSTS																																																																																																																																																							
25.0	60	80-9443L	2																																																																																																																																																							
25.0	60	80-9445R	2																																																																																																																																																							
25.0	60	80-9444L	2																																																																																																																																																							
25.0	60	80-9446R	2																																																																																																																																																							
AREA (SQ. FT)	SIZE (INCHES)	CONN. D.O.T. #	POSTS																																																																																																																																																							
9.0	36	80-9052	1																																																																																																																																																							
16.0	48	80-9053	2																																																																																																																																																							

W4-W6 - SERIES				W8-W9 - SERIES				W13 - SERIES				W20 - SERIES				W21 - SERIES				W22 - SERIES				STOP-SLOW PADDLE																																																																																											
<p>W4-2</p> <table border="1"> <thead> <tr> <th>AREA (SQ. FT)</th> <th>SIZE (INCHES)</th> <th>CONN. D.O.T. #</th> <th>POSTS</th> </tr> </thead> <tbody> <tr> <td>16.0</td> <td>48</td> <td>80-9918L</td> <td>2</td> </tr> <tr> <td>16.0</td> <td>48</td> <td>80-9917R</td> <td>2</td> </tr> </tbody> </table>				AREA (SQ. FT)	SIZE (INCHES)	CONN. D.O.T. #	POSTS	16.0	48	80-9918L	2	16.0	48	80-9917R	2	<p>W8-1</p> <table border="1"> <thead> <tr> <th>AREA (SQ. FT)</th> <th>SIZE (INCHES)</th> <th>CONN. D.O.T. #</th> <th>POSTS</th> </tr> </thead> <tbody> <tr> <td>9.0</td> <td>36</td> <td>80-9901</td> <td>1</td> </tr> <tr> <td>16.0</td> <td>48</td> <td>80-9902</td> <td>2</td> </tr> </tbody> </table>				AREA (SQ. FT)	SIZE (INCHES)	CONN. D.O.T. #	POSTS	9.0	36	80-9901	1	16.0	48	80-9902	2	<p>W13-1</p> <table border="1"> <thead> <tr> <th>AREA (SQ. FT)</th> <th>SIZE (INCHES)</th> <th>CONN. D.O.T. #</th> <th>POSTS</th> </tr> </thead> <tbody> <tr> <td>4.0</td> <td>24</td> <td>80-9569</td> <td>1</td> </tr> <tr> <td>6.25</td> <td>30</td> <td>80-9569</td> <td>1</td> </tr> <tr> <td>9.0</td> <td>36</td> <td>80-9603</td> <td>1</td> </tr> <tr> <td>16.0</td> <td>48</td> <td>80-9604</td> <td>2</td> </tr> </tbody> </table>				AREA (SQ. FT)	SIZE (INCHES)	CONN. D.O.T. #	POSTS	4.0	24	80-9569	1	6.25	30	80-9569	1	9.0	36	80-9603	1	16.0	48	80-9604	2	<p>W20-1</p> <table border="1"> <thead> <tr> <th>AREA (SQ. FT)</th> <th>SIZE (INCHES)</th> <th>CONN. D.O.T. #</th> <th>POSTS</th> </tr> </thead> <tbody> <tr> <td>6.25</td> <td>30</td> <td>80-9602</td> <td>1</td> </tr> <tr> <td>9.0</td> <td>36</td> <td>80-9603</td> <td>1</td> </tr> <tr> <td>16.0</td> <td>48</td> <td>80-9604</td> <td>2</td> </tr> </tbody> </table>				AREA (SQ. FT)	SIZE (INCHES)	CONN. D.O.T. #	POSTS	6.25	30	80-9602	1	9.0	36	80-9603	1	16.0	48	80-9604	2	<p>W21-6</p> <table border="1"> <thead> <tr> <th>AREA (SQ. FT)</th> <th>SIZE (INCHES)</th> <th>CONN. D.O.T. #</th> <th>POSTS</th> </tr> </thead> <tbody> <tr> <td>9.0</td> <td>36</td> <td>80-9607</td> <td>1</td> </tr> </tbody> </table>				AREA (SQ. FT)	SIZE (INCHES)	CONN. D.O.T. #	POSTS	9.0	36	80-9607	1	<p>W22-1</p> <table border="1"> <thead> <tr> <th>AREA (SQ. FT)</th> <th>SIZE (INCHES)</th> <th>CONN. D.O.T. #</th> <th>POSTS</th> </tr> </thead> <tbody> <tr> <td>9.0</td> <td>36</td> <td>80-9620</td> <td>1</td> </tr> <tr> <td>16.0</td> <td>48</td> <td>80-9625</td> <td>2</td> </tr> </tbody> </table>				AREA (SQ. FT)	SIZE (INCHES)	CONN. D.O.T. #	POSTS	9.0	36	80-9620	1	16.0	48	80-9625	2	<p>STOP-SLOW PADDLE</p> <table border="1"> <thead> <tr> <th>AREA (SQ. FT)</th> <th>SIZE (INCHES)</th> <th>CONN. D.O.T. #</th> <th>POSTS</th> </tr> </thead> <tbody> <tr> <td>2.25</td> <td>18</td> <td>80-9950</td> <td>PADDLE</td> </tr> </tbody> </table>				AREA (SQ. FT)	SIZE (INCHES)	CONN. D.O.T. #	POSTS	2.25	18	80-9950	PADDLE
AREA (SQ. FT)	SIZE (INCHES)	CONN. D.O.T. #	POSTS																																																																																																																
16.0	48	80-9918L	2																																																																																																																
16.0	48	80-9917R	2																																																																																																																
AREA (SQ. FT)	SIZE (INCHES)	CONN. D.O.T. #	POSTS																																																																																																																
9.0	36	80-9901	1																																																																																																																
16.0	48	80-9902	2																																																																																																																
AREA (SQ. FT)	SIZE (INCHES)	CONN. D.O.T. #	POSTS																																																																																																																
4.0	24	80-9569	1																																																																																																																
6.25	30	80-9569	1																																																																																																																
9.0	36	80-9603	1																																																																																																																
16.0	48	80-9604	2																																																																																																																
AREA (SQ. FT)	SIZE (INCHES)	CONN. D.O.T. #	POSTS																																																																																																																
6.25	30	80-9602	1																																																																																																																
9.0	36	80-9603	1																																																																																																																
16.0	48	80-9604	2																																																																																																																
AREA (SQ. FT)	SIZE (INCHES)	CONN. D.O.T. #	POSTS																																																																																																																
9.0	36	80-9607	1																																																																																																																
AREA (SQ. FT)	SIZE (INCHES)	CONN. D.O.T. #	POSTS																																																																																																																
9.0	36	80-9620	1																																																																																																																
16.0	48	80-9625	2																																																																																																																
AREA (SQ. FT)	SIZE (INCHES)	CONN. D.O.T. #	POSTS																																																																																																																
2.25	18	80-9950	PADDLE																																																																																																																
<p>W6-3</p> <table border="1"> <thead> <tr> <th>AREA (SQ. FT)</th> <th>SIZE (INCHES)</th> <th>CONN. D.O.T. #</th> <th>POSTS</th> </tr> </thead> <tbody> <tr> <td>16.0</td> <td>48</td> <td>80-9945</td> <td>2</td> </tr> </tbody> </table>				AREA (SQ. FT)	SIZE (INCHES)	CONN. D.O.T. #	POSTS	16.0	48	80-9945	2	<p>W9-2</p> <table border="1"> <thead> <tr> <th>AREA (SQ. FT)</th> <th>SIZE (INCHES)</th> <th>CONN. D.O.T. #</th> <th>POSTS</th> </tr> </thead> <tbody> <tr> <td>9.0</td> <td>36</td> <td>80-9801</td> <td>1</td> </tr> <tr> <td>16.0</td> <td>48</td> <td>80-9802</td> <td>2</td> </tr> </tbody> </table>				AREA (SQ. FT)	SIZE (INCHES)	CONN. D.O.T. #	POSTS	9.0	36	80-9801	1	16.0	48	80-9802	2	<p>W13-5</p> <table border="1"> <thead> <tr> <th>AREA (SQ. FT)</th> <th>SIZE (INCHES)</th> <th>CONN. D.O.T. #</th> <th>POSTS</th> </tr> </thead> <tbody> <tr> <td>9.0</td> <td>36</td> <td>80-9508</td> <td>2</td> </tr> </tbody> </table>				AREA (SQ. FT)	SIZE (INCHES)	CONN. D.O.T. #	POSTS	9.0	36	80-9508	2	<p>W20-2</p> <table border="1"> <thead> <tr> <th>AREA (SQ. FT)</th> <th>SIZE (INCHES)</th> <th>CONN. D.O.T. #</th> <th>POSTS</th> </tr> </thead> <tbody> <tr> <td>9.0</td> <td>36</td> <td>80-9614</td> <td>1</td> </tr> <tr> <td>16.0</td> <td>48</td> <td>80-9615</td> <td>2</td> </tr> </tbody> </table>				AREA (SQ. FT)	SIZE (INCHES)	CONN. D.O.T. #	POSTS	9.0	36	80-9614	1	16.0	48	80-9615	2	<p>W21-6</p> <table border="1"> <thead> <tr> <th>AREA (SQ. FT)</th> <th>SIZE (INCHES)</th> <th>CONN. D.O.T. #</th> <th>POSTS</th> </tr> </thead> <tbody> <tr> <td>9.0</td> <td>36</td> <td>80-9607</td> <td>1</td> </tr> </tbody> </table>				AREA (SQ. FT)	SIZE (INCHES)	CONN. D.O.T. #	POSTS	9.0	36	80-9607	1	<p>W22-2</p> <table border="1"> <thead> <tr> <th>AREA (SQ. FT)</th> <th>SIZE (INCHES)</th> <th>CONN. D.O.T. #</th> <th>POSTS</th> </tr> </thead> <tbody> <tr> <td>9.0</td> <td>36</td> <td>80-9933</td> <td>1</td> </tr> <tr> <td>12.0</td> <td>96X18</td> <td>80-9914</td> <td>2</td> </tr> <tr> <td>3.33</td> <td>48X10</td> <td>80-9916</td> <td>2</td> </tr> </tbody> </table>				AREA (SQ. FT)	SIZE (INCHES)	CONN. D.O.T. #	POSTS	9.0	36	80-9933	1	12.0	96X18	80-9914	2	3.33	48X10	80-9916	2	<p>STOP-SLOW PADDLE</p> <table border="1"> <thead> <tr> <th>AREA (SQ. FT)</th> <th>SIZE (INCHES)</th> <th>CONN. D.O.T. #</th> <th>POSTS</th> </tr> </thead> <tbody> <tr> <td>16.0</td> <td>48</td> <td>80-9956</td> <td>2</td> </tr> <tr> <td>(1)</td> <td>16.0</td> <td>48</td> <td>80-9957</td> <td>2</td> </tr> <tr> <td>(2)</td> <td>9.0</td> <td>36</td> <td>80-9958</td> <td>1</td> </tr> <tr> <td>(2)</td> <td>16.0</td> <td>48</td> <td>80-9959</td> <td>2</td> </tr> </tbody> </table>				AREA (SQ. FT)	SIZE (INCHES)	CONN. D.O.T. #	POSTS	16.0	48	80-9956	2	(1)	16.0	48	80-9957	2	(2)	9.0	36	80-9958	1	(2)	16.0	48	80-9959	2	
AREA (SQ. FT)	SIZE (INCHES)	CONN. D.O.T. #	POSTS																																																																																																																
16.0	48	80-9945	2																																																																																																																
AREA (SQ. FT)	SIZE (INCHES)	CONN. D.O.T. #	POSTS																																																																																																																
9.0	36	80-9801	1																																																																																																																
16.0	48	80-9802	2																																																																																																																
AREA (SQ. FT)	SIZE (INCHES)	CONN. D.O.T. #	POSTS																																																																																																																
9.0	36	80-9508	2																																																																																																																
AREA (SQ. FT)	SIZE (INCHES)	CONN. D.O.T. #	POSTS																																																																																																																
9.0	36	80-9614	1																																																																																																																
16.0	48	80-9615	2																																																																																																																
AREA (SQ. FT)	SIZE (INCHES)	CONN. D.O.T. #	POSTS																																																																																																																
9.0	36	80-9607	1																																																																																																																
AREA (SQ. FT)	SIZE (INCHES)	CONN. D.O.T. #	POSTS																																																																																																																
9.0	36	80-9933	1																																																																																																																
12.0	96X18	80-9914	2																																																																																																																
3.33	48X10	80-9916	2																																																																																																																
AREA (SQ. FT)	SIZE (INCHES)	CONN. D.O.T. #	POSTS																																																																																																																
16.0	48	80-9956	2																																																																																																																
(1)	16.0	48	80-9957	2																																																																																																															
(2)	9.0	36	80-9958	1																																																																																																															
(2)	16.0	48	80-9959	2																																																																																																															
<p>W16-15P</p> <table border="1"> <thead> <tr> <th>AREA (SQ. FT)</th> <th>SIZE (INCHES)</th> <th>CONN. D.O.T. #</th> <th>POSTS</th> </tr> </thead> <tbody> <tr> <td>2.0</td> <td>24X12</td> <td>80-9049</td> <td>1</td> </tr> </tbody> </table>				AREA (SQ. FT)	SIZE (INCHES)	CONN. D.O.T. #	POSTS	2.0	24X12	80-9049	1	<p>W20-2</p> <table border="1"> <thead> <tr> <th>AREA (SQ. FT)</th> <th>SIZE (INCHES)</th> <th>CONN. D.O.T. #</th> <th>POSTS</th> </tr> </thead> <tbody> <tr> <td>9.0</td> <td>36</td> <td>80-9805</td> <td>1</td> </tr> <tr> <td>16.0</td> <td>48</td> <td>80-9806</td> <td>2</td> </tr> </tbody> </table>				AREA (SQ. FT)	SIZE (INCHES)	CONN. D.O.T. #	POSTS	9.0	36	80-9805	1	16.0	48	80-9806	2	<p>W21-6</p> <table border="1"> <thead> <tr> <th>AREA (SQ. FT)</th> <th>SIZE (INCHES)</th> <th>CONN. D.O.T. #</th> <th>POSTS</th> </tr> </thead> <tbody> <tr> <td>9.0</td> <td>36</td> <td>80-9607</td> <td>1</td> </tr> </tbody> </table>				AREA (SQ. FT)	SIZE (INCHES)	CONN. D.O.T. #	POSTS	9.0	36	80-9607	1	<p>W22-3</p> <table border="1"> <thead> <tr> <th>AREA (SQ. FT)</th> <th>SIZE (INCHES)</th> <th>CONN. D.O.T. #</th> <th>POSTS</th> </tr> </thead> <tbody> <tr> <td>10.5</td> <td>42X36</td> <td>80-9623</td> <td>2</td> </tr> <tr> <td>10.5</td> <td>42X36</td> <td>80-9621</td> <td>2</td> </tr> </tbody> </table>				AREA (SQ. FT)	SIZE (INCHES)	CONN. D.O.T. #	POSTS	10.5	42X36	80-9623	2	10.5	42X36	80-9621	2	<p>STOP-SLOW PADDLE</p> <table border="1"> <thead> <tr> <th>AREA (SQ. FT)</th> <th>SIZE (INCHES)</th> <th>CONN. D.O.T. #</th> <th>POSTS</th> </tr> </thead> <tbody> <tr> <td>16.0</td> <td>48</td> <td>80-9956</td> <td>2</td> </tr> <tr> <td>(1)</td> <td>16.0</td> <td>48</td> <td>80-9957</td> <td>2</td> </tr> <tr> <td>(2)</td> <td>9.0</td> <td>36</td> <td>80-9958</td> <td>1</td> </tr> <tr> <td>(2)</td> <td>16.0</td> <td>48</td> <td>80-9959</td> <td>2</td> </tr> </tbody> </table>				AREA (SQ. FT)	SIZE (INCHES)	CONN. D.O.T. #	POSTS	16.0	48	80-9956	2	(1)	16.0	48	80-9957	2	(2)	9.0	36	80-9958	1	(2)	16.0	48	80-9959	2																																	
AREA (SQ. FT)	SIZE (INCHES)	CONN. D.O.T. #	POSTS																																																																																																																
2.0	24X12	80-9049	1																																																																																																																
AREA (SQ. FT)	SIZE (INCHES)	CONN. D.O.T. #	POSTS																																																																																																																
9.0	36	80-9805	1																																																																																																																
16.0	48	80-9806	2																																																																																																																
AREA (SQ. FT)	SIZE (INCHES)	CONN. D.O.T. #	POSTS																																																																																																																
9.0	36	80-9607	1																																																																																																																
AREA (SQ. FT)	SIZE (INCHES)	CONN. D.O.T. #	POSTS																																																																																																																
10.5	42X36	80-9623	2																																																																																																																
10.5	42X36	80-9621	2																																																																																																																
AREA (SQ. FT)	SIZE (INCHES)	CONN. D.O.T. #	POSTS																																																																																																																
16.0	48	80-9956	2																																																																																																																
(1)	16.0	48	80-9957	2																																																																																																															
(2)	9.0	36	80-9958	1																																																																																																															
(2)	16.0	48	80-9959	2																																																																																																															

- NOTES:
- R1-SERIES SIGN THE LEGEND "O.S.T.A." SHALL APPEAR.
  - POSTS - SEE STANDARD SHEET TR-1208.02 - "METAL SIGN POSTS AND SIGN MOUNTING DETAILS".
  - POSTS SHALL BE 4 LBS./FT.
  - ALL POSTS NOTED ARE FOR LONG TERM INSTALLATION. SEE STANDARD SHEET TR-1208.02.
  - FOR TEMPORARY SUPPORTS SEE STANDARD SHEET TR-1220.02 - "CONSTRUCTION SIGN SUPPORTS AND CHANNELIZING DEVICES".
  - FOR SPECIFIC SIGN DESIGN, CONTACT CONN. D.O.T., DIVISION OF TRAFFIC ENGINEERING. FOR BOLT HOLE PATTERN REFER TO FHWA PUBLICATION "STANDARD HIGHWAY SIGNS". SIGNS OF DIFFERENT DIMENSIONS TO BE ERRECTED ON THE SAME POSTS, OR SPAN/MAST ARM MOUNTED, MAY REQUIRE SPECIAL BOLT HOLE PATTERNS.
  - ALL CONSTRUCTION SIGNS TO BE PAID FOR UNDER THE CONSTRUCTION SIGNS ITEM IN THE CONTRACT.
  - MATERIALS & COLORS SHALL CONFORM TO STATE SPECIFICATIONS.

MATERIALS:  
SIGNS AND THEIR PORTABLE SUPPORTS SHALL CONFORM TO THE REQUIREMENTS OF NCHRP REPORT 350 (TL-3) OR THE AASHTO MASH FOR CATEGORY 2 DEVICES. ALUMINUM THICKNESS FOR POST MOUNTED SIGNS SHALL BE .100" EXCEPT SIGN #s. 80-1605, 80-9914, 80-9815, 80-9728, 80-9519, & 51-6147 (L OR R) WHICH SHALL BE .125". PLYWOOD THICKNESS FOR POST MOUNTED SIGNS SHALL BE 1/2" EXTERIOR GRADE A-C OR BETTER. SIGN BLANKS SHALL HAVE ONE COAT OF PRIMER PAINT PRIOR TO APPLICATION OF RETROREFLECTIVE SHEETING & COPY.

COLORS:  
BACKGROUND - FLUORESCENT ORANGE - EXCEPT AS NOTED.  
LEGEND - BLACK - EXCEPT AS NOTED.  
ALL SIGNS WITH FLUORESCENT ORANGE BACKGROUND TO USE TYPE VIII RETROREFLECTIVE SHEETING.  
ALL OTHER SIGNS TO USE TYPE IX RETROREFLECTIVE SHEETING.